

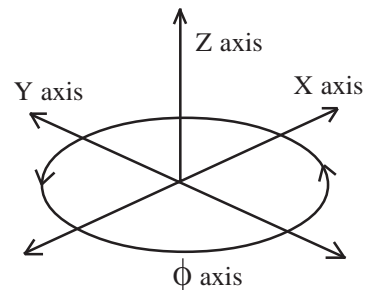
Name \_\_\_\_\_ Date \_\_\_\_\_

Company \_\_\_\_\_

Address \_\_\_\_\_

City \_\_\_\_\_ State \_\_\_\_\_ Zip \_\_\_\_\_

Phone (\_\_\_\_) \_\_\_\_\_ Fax (\_\_\_\_) \_\_\_\_\_



## Positioning System Specifications

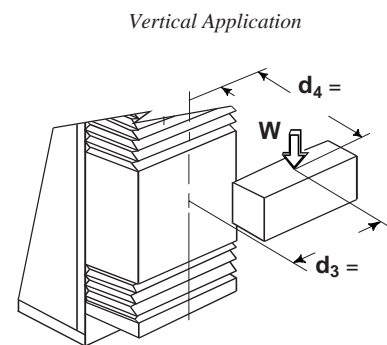
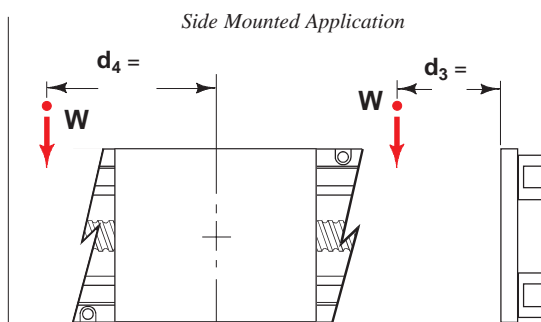
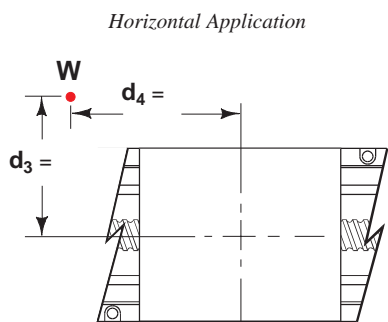
Axis	X	Y	Z	Ø	Axis	X	Y	Z	Ø
<b>Carriage Size</b> length x width (in or mm)					<b>Maximum Accel</b> (in/sec <sup>2</sup> or m/sec <sup>2</sup> )				
<b>Travel Length</b> (in or mm)					<b>Duty Cycle</b> (%)				
<b>Load Weight</b> (lbs or kgf)					<b>Table Life</b> (millions of inches or Km)				
<b>Repeatability</b> (in or mm)					<b>Motor Frame Size</b> (NEMA 23, 34, 42, other)				
<b>Accuracy</b> (Overall - in or mm)					<b>Limit Switch Type</b> (mech, reed, hall, prox)				
<b>Maximum Speed</b> (in/sec or mm/sec)					<b>Waycovers</b> (Yes or No)				
<b>Most Difficult Move Profile</b>	<b>Distance</b> (in or mm)				<b>Encoder</b> (linear, rotary, & resolution)				
	<b>Time</b> (sec)				<b>Power-off Brake</b> (Yes or No)				

### Special Requirements

- High Temperature     Clean Room     Maximum Smoothness     Motor Wrap  
 Vacuum Rated     High Moisture     Low Audible Noise     Other (explain below)

## Moment Loads

Load Center of Gravity Distance from Carriage Center (in or mm)



Load Weight (W) \_\_\_\_\_ (lbs or kgf)

### Application Details

(please describe and attach separate sketch if required)