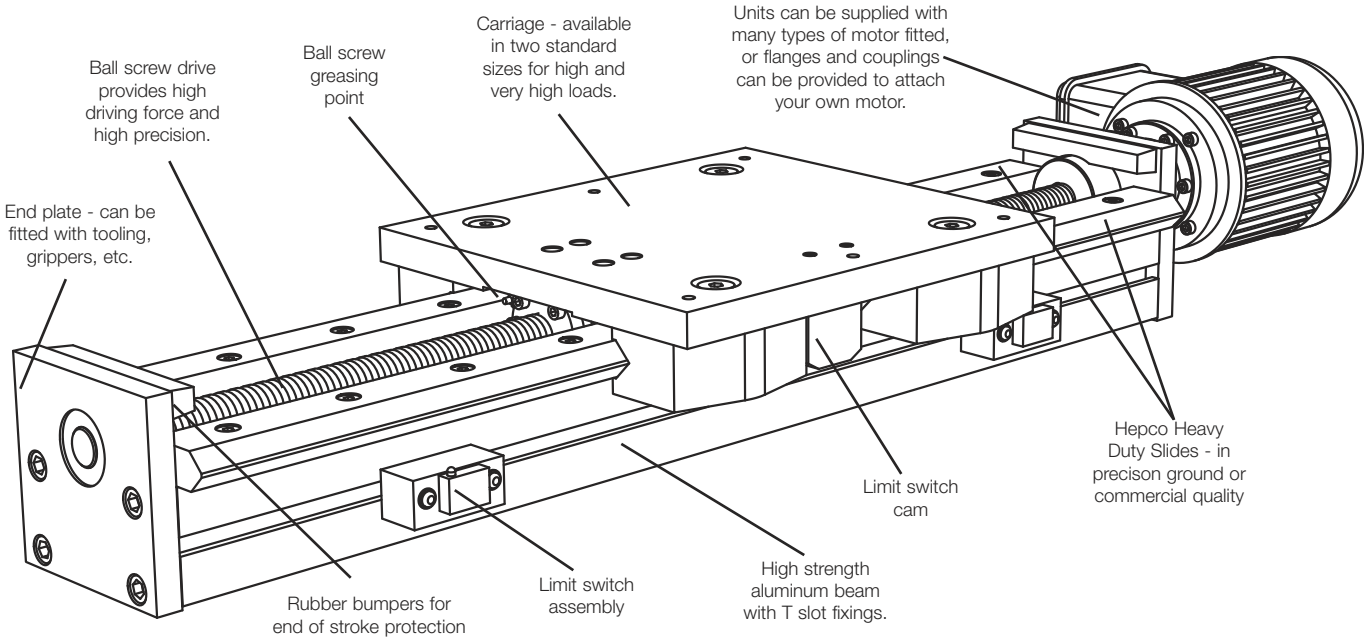


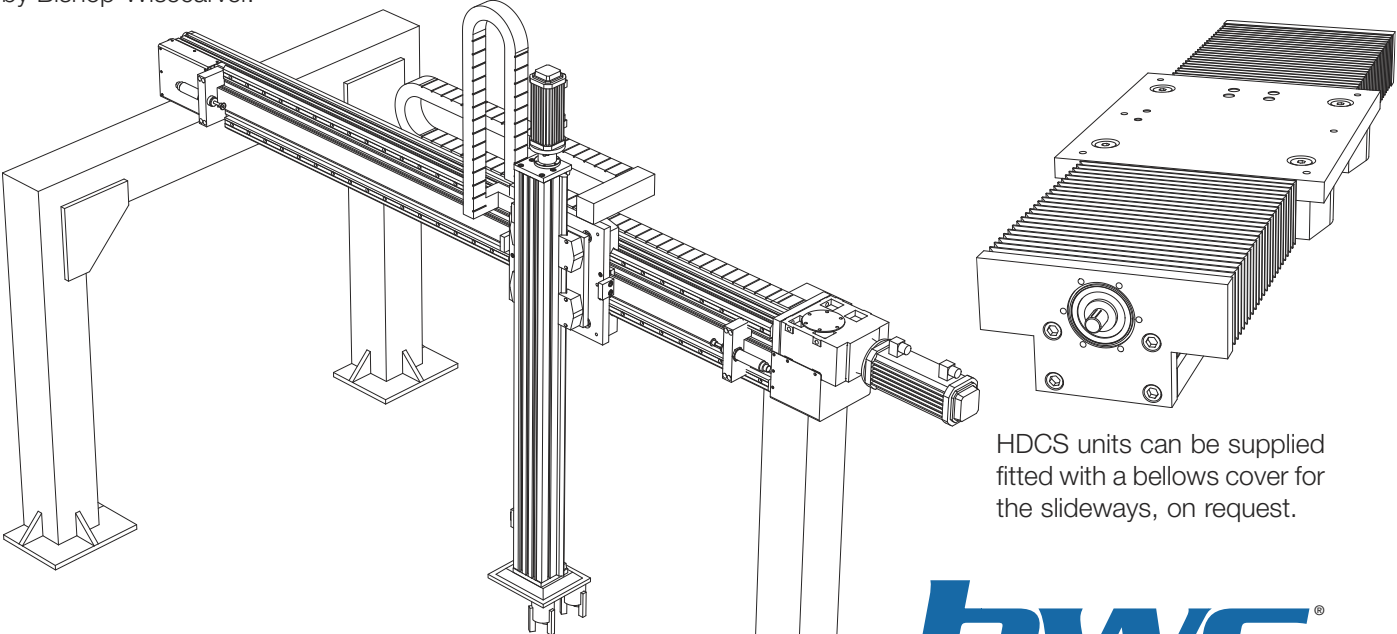
HepcoMotion® HDCS Heavy Duty Compact Ball Screw Transmission Data Sheet

The HDCS unit is built on a strong, compact aluminum beam, fitted with the popular Heavy Duty Slides. Two sizes of carriage are available with the drive provided by a Ø25mm ballscrew. Units are compatible with Bishop-Wisecarver's range of driven products, including HDLS and DLS.

This data sheet gives a brief overview of the product. CAD models will be provided against a specific application, for full details, please contact Bishop-Wisecarver's Sales Department.



Hepco HDCS units can be supplied with many useful options including bellows covers, motors, couplings, flanges, T nuts, brackets etc. They can be used in multi-axis systems, which can be built by the customer or supplied complete by Bishop-Wisecarver.



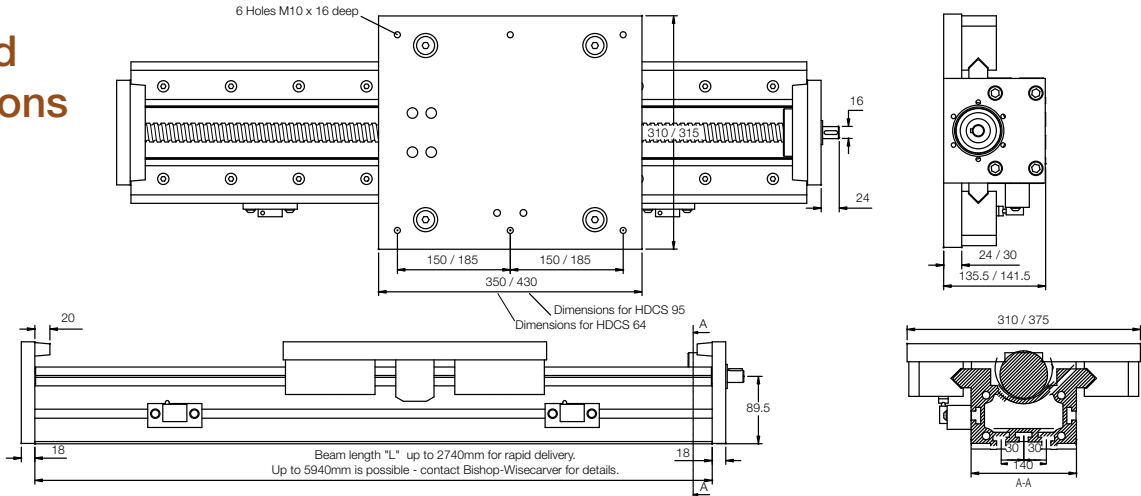
Pick & Place Gantry: This unit uses an HDLS unit (see separate catalog) for the X-axis and an HDCS unit with fitted servo-motor for the Z-axis. A gripper is attached to the end plate of the HDCS unit.

Sold & Serviced By:

 Toll Free Phone (877) SERV098
 Toll Free Fax (877) SERV099
 www.electromate.com
 sales@electromate.com



Data and Dimensions



Notes:

- 1 The speed and force may be reduced for long systems, due to ball screw limitations. Contact Bishop-Wisecarver for advice.
- 2 Dimensions in italics relate to units with the larger size 95 bearings. Other dimensions relate to size 64.
- 3 Flanges, couplings and many different motors are available. Contact Bishop-Wisecarver for details.

Load Capacities

The table below shows the maximum loading for each carriage in each possible loading mode. It also includes loads for 10,000km travel. This table is intended as a guide for initial selection only. Please complete and submit the Application Data Sheet on the Bishop-Wisecarver website and we will calculate the system Load/Life for you.

Carriage Type	L1	L2	Ms	Mv	M
HDCS 64	max 10,000N @300km	max 16,000N @500km	max 900Nm @ 300km	max 1,800Nm @500km	max 1,125Nm @ 300km
	3,100N @ 10,000km	5,895N @10,000km	297Nm @ 10,000km	663Nm @10,000km	348Nm @ 10,000km
HDCS 95	max 28,000N @400km	max 40,000N @ 400km	max 2,520Nm @400km	max 5,400Nm @ 400km	max 3,780Nm @400km
	9,570N @10,000km	13,680N @ 10,000km	861Nm @10,000km	1,846Nm @ 10,000km	1,291Nm @10,000km

Maximum Driving Force

HDCS 64/95	5mm Pitch	10mm Pitch
Ca	12.8 kN	19.4 kN
Coa	31.1 kN	38.7 kN

Ordering Details

Product range _____ **HD**CS **64** **P1** **L1850** **P10**

Bearing size. Choose 64 or 95 depending on load capacity _____

P1 = precision grade slides, **P3** = commercial grade slides _____

Beam length (see dim L at top of page) _____

Screw pitch. **P5** = 5mm, **P10** = 10mm _____

For guidance on other options, contact Bishop-Wisecarver.