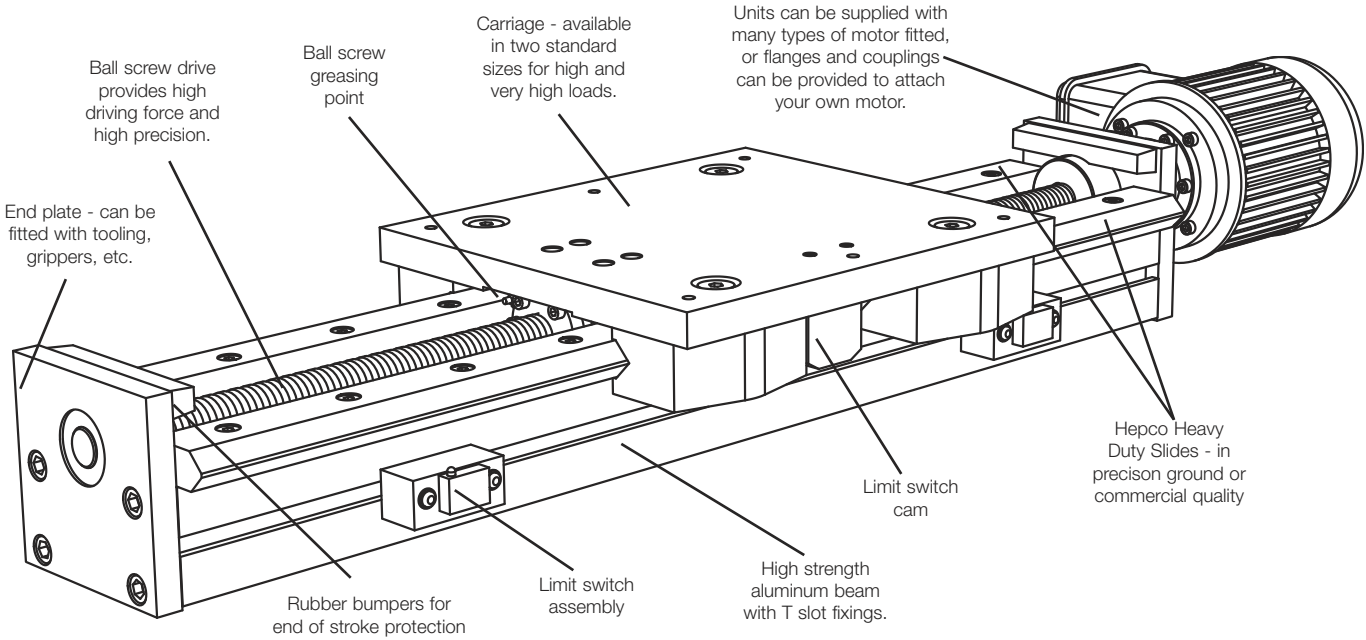
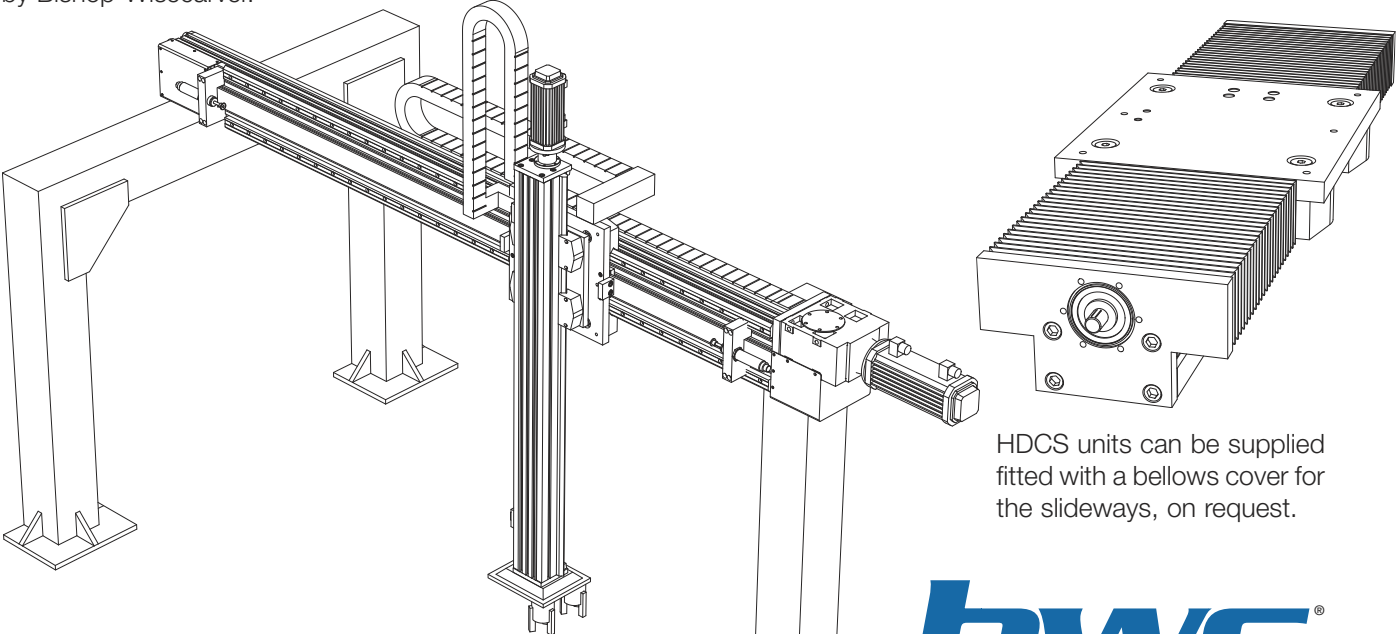


# HepcoMotion® HDCS Heavy Duty Compact Ball Screw Transmission Data Sheet

The HDCS unit is built on a strong, compact aluminum beam, fitted with the popular Heavy Duty Slides. Two sizes of carriage are available with the drive provided by a Ø25mm ballscrew. Units are compatible with Bishop-Wisecarver's range of driven products, including HDLS and DLS. This data sheet gives a brief overview of the product. CAD models will be provided against a specific application, for full details, please contact Bishop-Wisecarver's Sales Department.



Hepco HDCS units can be supplied with many useful options including bellows covers, motors, couplings, flanges, T nuts, brackets etc. They can be used in multi-axis systems, which can be built by the customer or supplied complete by Bishop-Wisecarver.



HDCS units can be supplied fitted with a bellows cover for the slideways, on request.

Pick & Place Gantry: This unit uses an HDLS unit (see separate catalog) for the X-axis and an HDCS unit with fitted servo-motor for the Z-axis. A gripper is attached to the end plate of the HDCS unit.

Sold & Serviced By: **ELECTROMATE**

Toll Free Phone (877) SERV098  
Toll Free Fax (877) SERV099  
www.electromate.com  
sales@electromate.com



