

Description

AVB200A100 servo amplifiers are designed to drive brushless DC motors at a high switching frequency for vehicle applications. It is fully protected against over-voltage, over-current, over-heating, under-voltage and short-circuits. This model interfaces with digital controllers or can be used as a stand-alone drive and requires only a single unregulated DC power supply or battery. A single red/green LED and a single digital output indicate operating status. Loop gain, current limit, input gain, offset, command ramping, deadband can be adjusted using 14-turn potentiometers. The offset adjusting potentiometer can also be used as an on-board input signal for testing purposes. It will accept tachometer input, quadrature encoder inputs, or Hall sensor inputs for velocity control.

Power Range

Peak Current	200 A
Continuous Current	125 A
Supply Voltage	20 - 80 VDC



Features

- ▲ Four Quadrant Regenerative Operation
- ▲ Ramped Command Input Adjustment
- ▲ Adjustable Deadband Range
- ▲ Drive Brushed or Brushless Motors
- ▲ Compact Size, High Power Density
- ▲ Selectable 120/60 Hall Commutation Phasing
- ▲ Offset Adjustment Potentiometer
- ▲ Ingress Protection Rating: IP65
- ▲ Electromagnetic Holding Brake Output
- ▲ Selectable Inhibit/Enable Logic
- ▲ Adjustable Current Limits
- ▲ Multiple Modes of Operation

MODES OF OPERATION

- Current
- Voltage
- Duty Cycle (Open Loop)
- IR Compensation
- Velocity
- Hall Velocity

COMMAND SOURCE

- 0 - 5V Analog
 - Wigwag
 - Inverted
- 0 – 5 kΩ
 - 2-wire Pots
 - 3-wire Pots
 - Wigwag
 - Inverted

FEEDBACK SUPPORTED

- Halls
- Incremental Encoder
- Tachometer (±60 DC)

INPUTS/OUTPUTS

- Inhibit/Enable Input
- Forward and Reverse Inputs
- Push Brake Release Inputs
- Speed Limit Pot Input
- Current Monitor Output
- Velocity Monitor Output
- Fault Output

COMPLIANCES & AGENCY APPROVALS

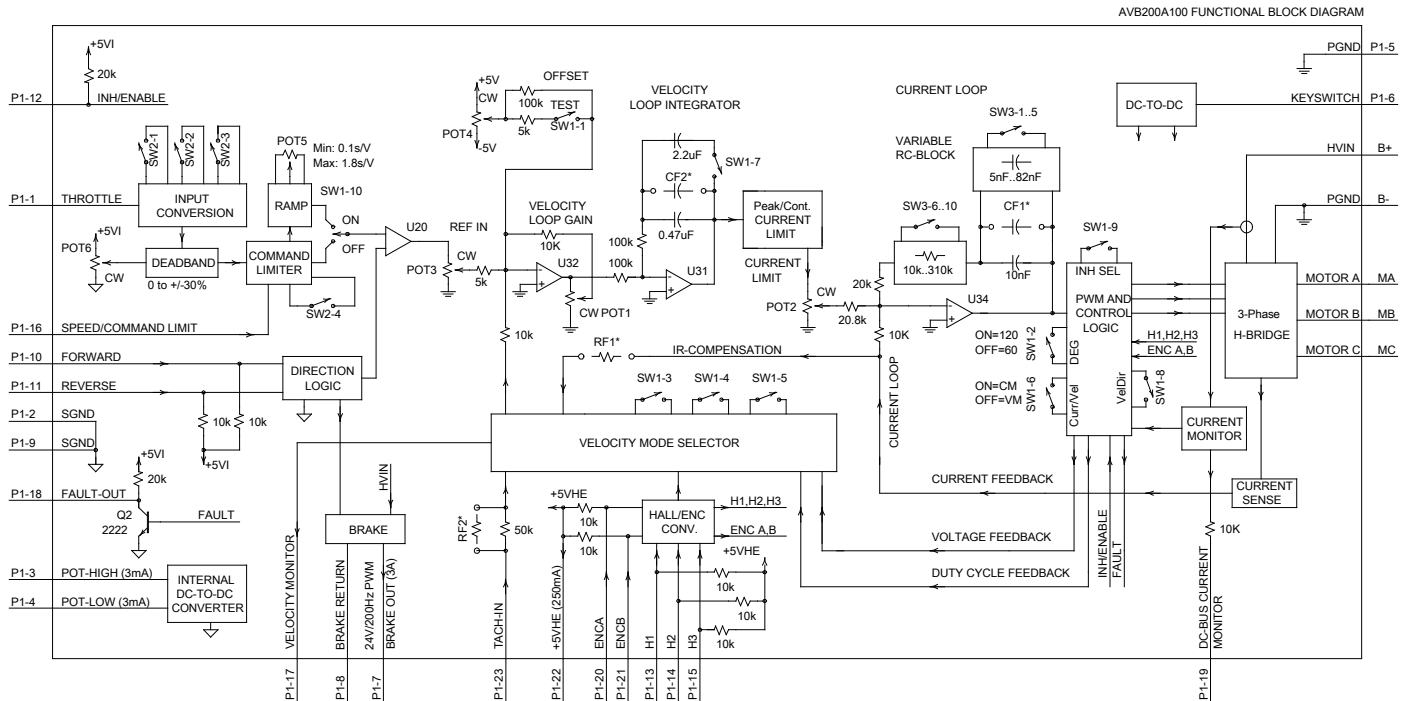
- UL
- cUL
- RoHS
- CE Pending

Sold & Serviced By:



Toll Free Phone (877) SERV098
 Toll Free Fax (877) SERV099
www.electromate.com
sales@electromate.com

BLOCK DIAGRAM



MODE SELECTION	SW1-3	SW1-4	SW1-5	SW1-6	SW1-7
CURRENT	N/A	N/A	N/A	ON	N/A
HALL VELOCITY	ON	ON	OFF	OFF	ON
ENCODER VELOCITY	OFF	ON	OFF	OFF	X
DUTY CYCLE	ON	OFF	OFF	OFF	X
VOLTAGE	OFF	OFF	OFF	OFF	X
IR COMPENSATION**	OFF	OFF	OFF	OFF	X
TACHOMETER	N/A	N/A	ON	OFF	X

N/A - NOT APPLICABLE
X - DEPENDENT ON APPLICATION

SW2	INPUT COMMAND SELECTION	
1	SINGLE INPUT DIRECTION	OFF
	WIG-WAG INPUT DIRECTION	ON
2	2-WIRE POTENTIOMETER	OFF
	3-WIRE POTENTIOMETER	ON
3	INVERTED INPUT	OFF
	STANDARD INPUT	ON
4	FULL SPEED REVERSE	OFF
	HALF SPEED REVERSE	ON

LED GREEN - NORMAL OPERATION, LED RED - FAULT

RECOMMENDED SETTINGS FOR CURRENT MODE - POT1 FULLY CCW, POT3 FULLY CW
DRIVES ARE SHIPPED IN CURRENT MODE WITH MAXIMUM CURRENT SETTINGS

FOR OTHER SWITCH FUNCTIONS SEE SWITCH DESCRIPTION

* OPTIONAL USER INSTALLED THROUGH HOLE COMPONENTS

** IR COMPENSATION MODE REQUIRES USER INSTALLED RESISTOR RF1 ON THE PCB

Information on Approvals and Compliances



US and Canadian safety compliance with UL 508c, the industrial standard for power conversion electronics. UL registered under file number E140173. Note that machine components compliant with UL are considered UL registered as opposed to UL listed as would be the case for commercial products.



RoHS (Reduction of Hazardous Substances) is intended to prevent hazardous substances such as lead from being manufactured in electrical and electronic equipment.

Sold & Served By:



Toll Free Phone (877) SERV098

Toll Free Fax (877) SERV099

www.electromate.com

sales@electromate.com

SPECIFICATIONS

		Power Specifications	
Description	Units	Value	
DC Supply Voltage Range	VDC	20 - 80	
DC Bus Over Voltage Limit	VDC	92	
DC Bus Under Voltage Limit	VDC	16	
Logic Supply Voltage (Keyswitch)	VDC	20 - 80	
Maximum Peak Output Current ¹	A	200	
Maximum Continuous Output Current	A	125	
Max. Continuous Output Power	W	9500	
Max. Continuous Power Dissipation	W	500	
Internal Bus Capacitance	µF	6000	
Minimum Load Inductance (Line-To-Line) ²	µH	250	
Switching Frequency	kHz	14.6	
Maximum Output PWM Duty Cycle	%	100	
		Control Specifications	
Description	Units	Value	
Command Sources	-	0 - 5 V Analog, 0 - 5 kΩ	
Feedback Supported	-	Halls, Incremental Encoder, Tachometer (±60 VDC)	
Commutation Methods	-	Trapezoidal	
Modes of Operation	-	Current, Voltage, IR Compensation, Duty Cycle, Hall Velocity, Velocity	
Motors Supported	-	Single Phase (Brushed, Voice Coil, Inductive Load), Three Phase (Brushless)	
Hardware Protection	-	Over Current, Over Temperature, Over Voltage, Short Circuit (Phase-Phase & Phase-Ground), Under Voltage	
		Mechanical Specifications	
Description	Units	Value	
Agency Approvals	-	cUL, UL, RoHS, CE Pending	
Size (H x W x D)	mm (in)	203.2 x 139.7 x 59.7 (8.0 x 5.5 x 2.4)	
Size (H x W x D) with 23-pin mating connector installed	mm (in)	203.2 x 139.7 x 74.0 (8.0 x 5.5 x 2.9)	
Weight	g (oz)	1638.60 (57.80)	
Heatsink (Base) Temperature Range ³	°C (°F)	0 - 75 (32 - 167)	
Storage Temperature Range	°C (°F)	-20 - 85 (-4 - 185)	
Cooling System ³	-	Natural Convection	
Form Factor	-	Vehicle Mount	
IP Rating	-	65	
I/O Connector	-	23-pin, AMPSEAL connector	
MOTOR POWER Connector	-	3 Individual M6 threaded terminals	
POWER Connector	-	2 Individual M6 threaded terminals	

Notes

1. Maximum duration of peak current is ~10 seconds for zero-to-peak current commands. Peak-to-peak current commands should not be performed.
2. Lower inductance is acceptable for bus voltages well below maximum. Use external inductance to meet requirements.
3. Additional cooling and/or heatsink is required to achieve rated performance. Thermal grease recommended between baseplate and external heatsink.

Mating Connector Kit

Mating connector housing, socket contacts, and seal plugs can be ordered as a kit using *ADVANCED* Motion Controls' part number **KC-23AMPSEAL01**.

Sold & Serviced By:



Toll Free Phone (877) SERV098

Toll Free Fax (877) SERV099

www.electromate.com
sales@electromate.com

PIN FUNCTIONS

I/O - Signal Connector			
Pin	Name	Description / Notes	I/O
1	THROTTLE IN	0 – 5 V reference command input or 0 – 5 k Ω resistance command input. Do not perform peak-to-peak current commands.	I
2	SIGNAL GROUND		SGND
3	POT HIGH	+5V @ 3 mA. For customer use. Reference to Signal Ground. Becomes disabled when 2-wire pot command is selected (SW2-2 = OFF)	O
4	POT LOW		SGND
5	POWER GROUND	Power Ground	PGND
6	KEYSWITCH	Master switch for the drive. Logic power input supply. Voltage range equal to DC Supply Voltage Range (see specifications table). This must be ON for the drive to function. Reference to Power Ground.	I
7	BRAKE	Brake Output. This output will energize when the Keyswitch is ON and the drive is enabled. Outputs up to 24V, 3A max. Reference to Brake Return.	O
8	BRAKE RETURN	Brake Return	I
9	SIGNAL GROUND	Signal Ground	SGND
10	FORWARD	When not in Wigwag mode, with only one input active at a time, Forward and Reverse inputs selects the direction of motion. Pull low (Signal Ground) to activate. When the drive is disabled or faulted, activating both Pins at the same time will energize Brake Output (Pin7). Activating only one input when the drive is disabled or faulted will not energize Brake Output.	I
11	REVERSE		I
12	INHIBIT/ENABLE	This TTL level input signal turns off all power devices of the "H" bridge when pulled to Signal Ground with SW1-9=ON. If SW1-9=OFF, pulling this pin to Signal Ground will enable the drive.	I
13	HALL 1	Hall sensor inputs. Logic levels: maximum low level input is 1.5 VDC, minimum high level input is 3.5 VDC. Reference to Power Ground.	I
14	HALL 2		I
15	HALL 3		I
16	SPEED/COMMAND LIMIT	Sets the maximum speed/command limit (command type dependent on the mode of operation). Voltage value at this pin will act as the upper limit available for the throttle input command	I
17	VELOCITY MONITOR	1V = 21.5 kHz Encoder Frequency; 1V = 100 Hz Hall Sensor Frequency. Reference to Power Ground.	O
18	FAULT OUT	This output activates during short circuit, over-voltage, under voltage, inhibit, over-temperature and power-on reset. A red LED also indicates a fault condition. Reference to Signal Ground. Can be used with an external voltage supply and LED for visual fault indication.	O
19	DC BUS CURRENT MONITOR	Scaling factor = 27.4 A/V. This output represents the actual power supply DC Bus current. Reference to Power Ground.	O
20	ENCODER A	Encoder Channel A. Reference to Power Ground.	I
21	ENCODER B	Encoder Channel B. Reference to Power Ground.	I
22	+5V OUT	+5V @ 150mA. For customer use. Reference to Power Ground.	O
23	TACH	Tachometer Input, 60k ohm input resistance, \pm 60 V max. Reference to Power Ground.	I

MOTOR POWER - Power Connector			
Terminal	Name	Description / Notes	I/O
MA	MOTOR A	Motor Phase A	O
MB	MOTOR B	Motor Phase B	O
MC	MOTOR C	Motor Phase C	O

POWER - Power Connector			
Terminal	Name	Description / Notes	I/O
B-	BATT - / POWER GROUND	Power Ground	PGND
B+	BATT +	DC Power Input. Battery Power.	I

Sold & Serviced By:



Toll Free Phone (877) SERV098

Toll Free Fax (877) SERV099

www.electromate.com
sales@electromate.com

HARDWARE SETTINGS

Switch Functions

SW1				
Switch	Description	Setting		
		On	Off	
1	Test / Offset controls the sensitivity of the "offset" pot. This is used as an on-board reference signal in test mode.	Test	Offset	
2	120/60 degree commutation phasing.	120 degree phasing	60 degree phasing	
3	Mode Select. Refer to Mode Selection Table	Duty-Cycle / Hall	Voltage / Encoder	
4	Mode Select. Refer to Mode Selection Table	Hall / Encoder	Duty-Cycle / Voltage	
5	Mode Select. Refer to Mode Selection Table	Tach Mode	Other Modes	
6	Mode Select. Refer to Mode Selection Table	Current Mode	Velocity Modes	
7	Velocity Integrator Capacitor	More Capacitance (ON for Hall Velocity Mode)	Less Capacitance	
8	Velocity Feedback Polarity (for Hall or Encoder Velocity Mode)	One Direction	Opposite Direction	
9	Inhibit / Enable Logic Select	Ground Inhibit pin to Inhibit	Ground Inhibit enable motor outputs	
10	Ramp Enable	Enable Command Ramping	No Command Ramping	

Mode Selection Table

Operating modes can be selected by setting SW1 DIP switches according to the following table.

	SW1-1	SW1-2	SW1-3	SW1-4	SW1-5	SW1-6	SW1-7	SW1-8	SW1-9	SW1-10
CURRENT	X	X	X	X	OFF	ON	X	X	X	X
DUTY CYCLE	X	X	ON	OFF	OFF	OFF	X	X	X	X
VOLTAGE	X	X	OFF	OFF	OFF	OFF	X	X	X	X
IR COMPENSATION*	X	X	OFF	OFF	OFF	OFF	X	X	X	X
HALL VELOCITY	X	X	ON	ON	OFF	OFF	ON	X	X	X
ENCODER VELOCITY	X	X	OFF	ON	OFF	OFF	X	X	X	X
TACHOMETER	X	X	X	X	ON	OFF	X	X	X	X

X = does not affect mode

* IR Comp Mode requires the addition of an IR Comp resistor RF1 on the PCB.

Input Command Type Selection Table

The input command type can be selected by setting SW2 DIP switches according to the following table.

SW2				
Switch	Description	Setting		
		On	Off	
1	Wigwag / Single-Ended Command Input	Wigwag	Single-ended	
2	3-Wire / 2-Wire External Potentiometer Command Source	3-Wire	2-Wire**	
3	Standard / Inverted Inputs	Standard	Inverted Inputs	
4	Half Speed Reverse	Half Speed	Same Speed	

**When 2-Wire is selected, Pot High (pin 3) becomes disabled. As an additional protection in 2-Wire setting, whenever the command input exceeds the acceptable range (0-5V or 0-5kΩ) the output command will be disabled until the command input is reset to a zero output command.

Sold & Serviced By:



Toll Free Phone (877) SERV098

Toll Free Fax (877) SERV099

www.electromate.com

sales@electromate.com

Current Loop Tuning Values

SW3 DIP switches add additional resistance and capacitance to the current loop tuning circuitry. SW3 switches 1-5 add additional parallel capacitance to the current loop integrator capacitor, and SW3 switches 6-10 add additional series resistance to the current loop gain resistor (see Block Diagram). Capacitance and resistance values are given in the tables below along with the appropriate DIP switch settings.

SW3																	
Switch	Additional Current Loop Integrator Capacitance (μF)																
	SHORT	.082	.077	.072	.067	.062	.057	.052	.047	.035	.030	.025	.020	.015	.010	.005	OPEN
1	ON	ON	OFF	ON	OFF	ON	OFF	ON	OFF	ON	OFF	ON	OFF	ON	OFF	ON	OFF
2	ON	ON	ON	OFF	OFF	ON	ON	OFF	OFF	ON	ON	OFF	OFF	ON	ON	OFF	OFF
3	ON	ON	ON	ON	ON	OFF	OFF	OFF	OFF	ON	ON	ON	ON	OFF	OFF	OFF	OFF
4	ON	ON	ON	ON	ON	ON	ON	ON	ON	OFF	OFF	OFF	OFF	OFF	OFF	OFF	OFF
5	ON	OFF	OFF	OFF	OFF	OFF	OFF	OFF	OFF	OFF	OFF	OFF	OFF	OFF	OFF	OFF	OFF

SW3																	
Switch	Additional Current Loop Gain Resistance (kΩ)																
	0	10	20	30	40	50	60	70	80	90	100	110	120	130	140	150	
6	ON	OFF	ON	OFF	ON	OFF	ON	OFF	ON	OFF	ON	OFF	ON	OFF	ON	OFF	
7	ON	ON	OFF	OFF	ON	ON	OFF	OFF	ON	ON	OFF	OFF	ON	ON	OFF	OFF	
8	ON	ON	ON	ON	OFF	OFF	OFF	OFF	ON	ON	ON	ON	OFF	OFF	OFF	OFF	
9	ON	ON	ON	ON	ON	ON	ON	ON	OFF	OFF	OFF	OFF	OFF	OFF	OFF	OFF	
10	ON	ON	ON	ON	ON	ON	ON	ON	ON	ON	ON	ON	ON	ON	ON	ON	
Switch (continued)	160	170	180	190	200	210	220	230	240	250	260	270	280	290	300	310	
6	ON	OFF	ON	OFF	ON	OFF	ON	OFF	ON	OFF	ON	OFF	ON	OFF	ON	OFF	
7	ON	ON	OFF	OFF	ON	ON	OFF	OFF	ON	ON	OFF	OFF	ON	ON	OFF	OFF	
8	ON	ON	ON	ON	OFF	OFF	OFF	OFF	ON	ON	ON	ON	OFF	OFF	OFF	OFF	
9	ON	ON	ON	ON	ON	ON	ON	ON	OFF	OFF	OFF	OFF	OFF	OFF	OFF	OFF	
10	OFF	OFF	OFF	OFF	OFF	OFF	OFF	OFF	OFF	OFF	OFF	OFF	OFF	OFF	OFF	OFF	

Sold & Serviced By:



Toll Free Phone (877) SERV098

Toll Free Fax (877) SERV099

www.electromate.com

sales@electromate.com

Potentiometer Functions

Potentiometer	Description	Turning CW
Pot 1	Loop gain adjustment in duty cycle and velocity modes. Turn this pot fully CCW in current mode.	Increases loop gain
Pot 2	Current limit. This potentiometer adjusts both the continuous and peak current limit while maintaining the continuous to peak ratio (~63%).	Increases current limit
Pot 3	Reference in gain. This potentiometer adjusts the ratio between input signal and output variables (voltage, current, and velocity).	Increases reference input gain
Pot 4	Test/Offset. Used to adjust any imbalance in the input signal or in the drive. When SW1-1 (DIP switch) is ON, the sensitivity of this pot is greatly increased allowing it to be used as an on-board signal source for testing purposes.	Zero speed setting is at the midpoint of this 14-turn pot.
Pot 5	Ramp Time. Sets the ramp time for the command input signal.	Decreases ramp time (faster response time)
Pot 6	Deadband. Adjusts the amount of Deadband up to 30% of the command range.	Decreases deadband (quicker response to commands)

Note: Potentiometers are approximately linear and have 12 active turns plus 1 inactive turn on each end.

Ramping (Pot 5):

The built-in ramp circuit allows the command input to be ramped linearly. This feature is activated by setting SW1-10 = ON. The ramp time can be set for up to 20 seconds in reaching the max command by adjusting Pot 5 fully counter-clockwise. Ramping rates are linear with respect to time and apply to both directions of motion. For example, if the single-ended command input is only 2.5 Volts, the time to ramp to this voltage would be half the time to ramp to 5 Volts.

Deadband (Pot 6):

Deadband is adjustable through the use of the Deadband Pot for up to 30% of the command range in each direction. Commands within the set Deadband range will have no effect on the output. Once the command is beyond the Deadband, the drive will begin to output power to the motor. The Deadband will have an offset effect on the rest of the command range. Therefore, to reach the maximum command would require increasing the Reference Input Gain (Pot3).

Current Limit Adjustments:

These amplifiers feature separate peak and continuous current limits. The current limit adjustment Pot 2 adjusts both peak and continuous current limit at the same time. Pot 2 has 12 active turns and one inactive turn on each end and is approximately linear. Thus, to adjust the current limit turn the potentiometer counter-clockwise to zero, then turn clockwise to the appropriate value.

Sold & Serviced By:



Toll Free Phone (877) SERV098

Toll Free Fax (877) SERV099

www.electromate.com
sales@electromate.com

Through-hole Components[†]

Location	Description
CF2*	Velocity Loop Integrator. Through-hole capacitor that can be added for more precise velocity loop tuning. See section below on Tuning with Through-hole components for more details.
CF1*	Current Loop Integrator. Through-hole capacitor that can be added for more precise current loop tuning. See section below on Tuning with Through-hole components for more details.
RF2*	Tachometer Gain Scaling. Through-hole resistor that can be added to change the gain of the tachometer input. See section below on Tachometer Gain for more details.
RF1*	IR Compensation Scaling. Through-hole resistor that can be added to configure the amplifier for IR Compensation mode. See section below on IR Compensation Notes for more details.

Tuning With Through-hole Components

In general, the drive will not need to be further tuned with through-hole components. However, for applications requiring more precise tuning than what is offered by the potentiometers and DIP switches, the drive can be manually modified with through-hole capacitors as denoted in the above table. By default, the through-hole locations are not populated when the drive is shipped. Before attempting to add through-hole components to the board, consult the section on loop tuning in the installation notes on the manufacturer's website. A general rule of thumb to follow when adding through-hole components is:

- A larger capacitor value will increase the integration time, and therefore create a slower response time.

Proper tuning using the through-hole components will require careful observation of the loop response on a digital oscilloscope to find the optimal through-hole component values for the specific application.

Tachometer Gain

Some applications may require an increase in the gain of the tachometer input signal. This occurrence will be most common in designs where the tachometer input has a low voltage to RPM scaling ratio. The drive offers a through-hole location listed in the above table where a resistor can be added to increase the tachometer gain. Use the drive's block diagram to determine an appropriate resistor value.

IR Compensation

For applications that will use IR Compensation mode, a resistor can be added to the location named in the table above. The combination of the added resistor and correct DIP switch settings will configure the amplifier for IR Compensation mode. While in IR Compensation mode, the amplifier will adjust the duty cycle to compensate for changes in the output current. Consult the amplifier's functional block diagram and the manufacturer's website for more information.

[†]NOTE: DAMAGE DONE TO THE DRIVE WHILE PERFORMING THESE MODIFICATIONS WILL VOID THE WARRANTY.

Sold & Serviced By:



Toll Free Phone (877) SERV098

Toll Free Fax (877) SERV099

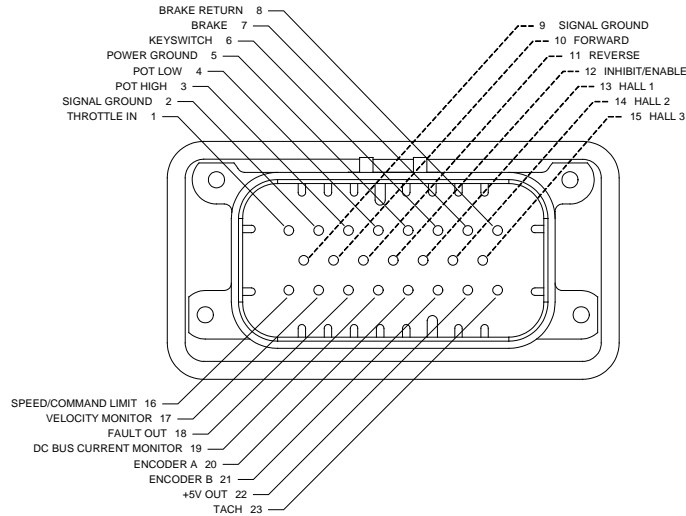
www.electromate.com

sales@electromate.com

MECHANICAL INFORMATION

I/O - Signal Connector

Connector Information		23-pin, AMPSEAL connector
Mating Connector	Details	TE Connectivity: Housing P/N 770680-1; Socket Contacts P/N 770854-3 (loose); Seal Plug P/N 770678-1; Crimp Tool P/N 58529-1
	Included with Drive	No



MOTOR POWER - Power Connector

Connector Information		Three individual M6 threaded terminal
Mating Connector	Details	M6 screw or bolt with washer
	Included with Drive	Yes

POWER - Power Connector

Connector Information		Two individual M6 threaded terminal
Mating Connector	Details	M6 screw or bolt with washer
	Included with Drive	Yes

Sold & Serviced By:



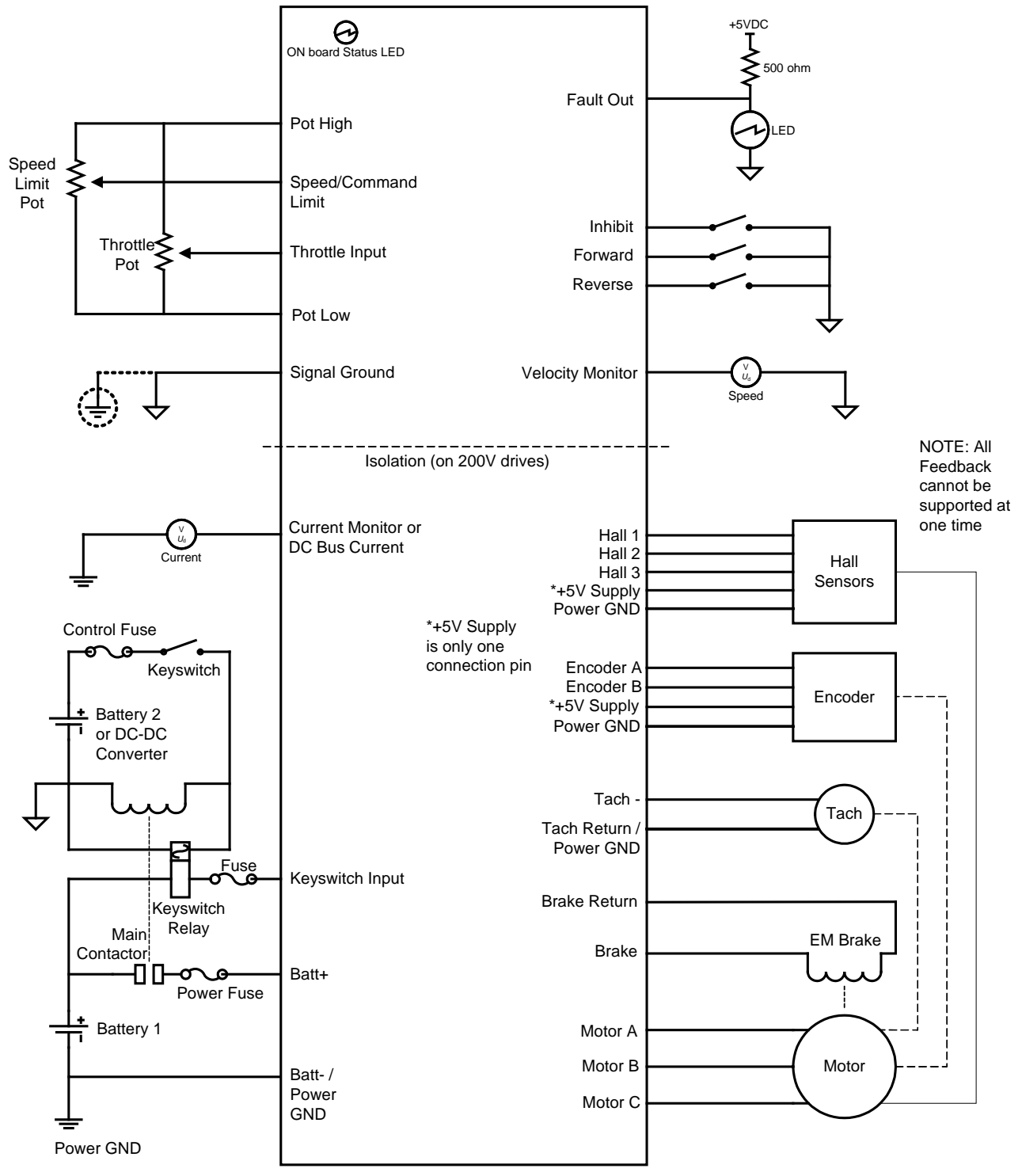
Toll Free Phone (877) SERV098

Toll Free Fax (877) SERV099

www.electromate.com

sales@electromate.com

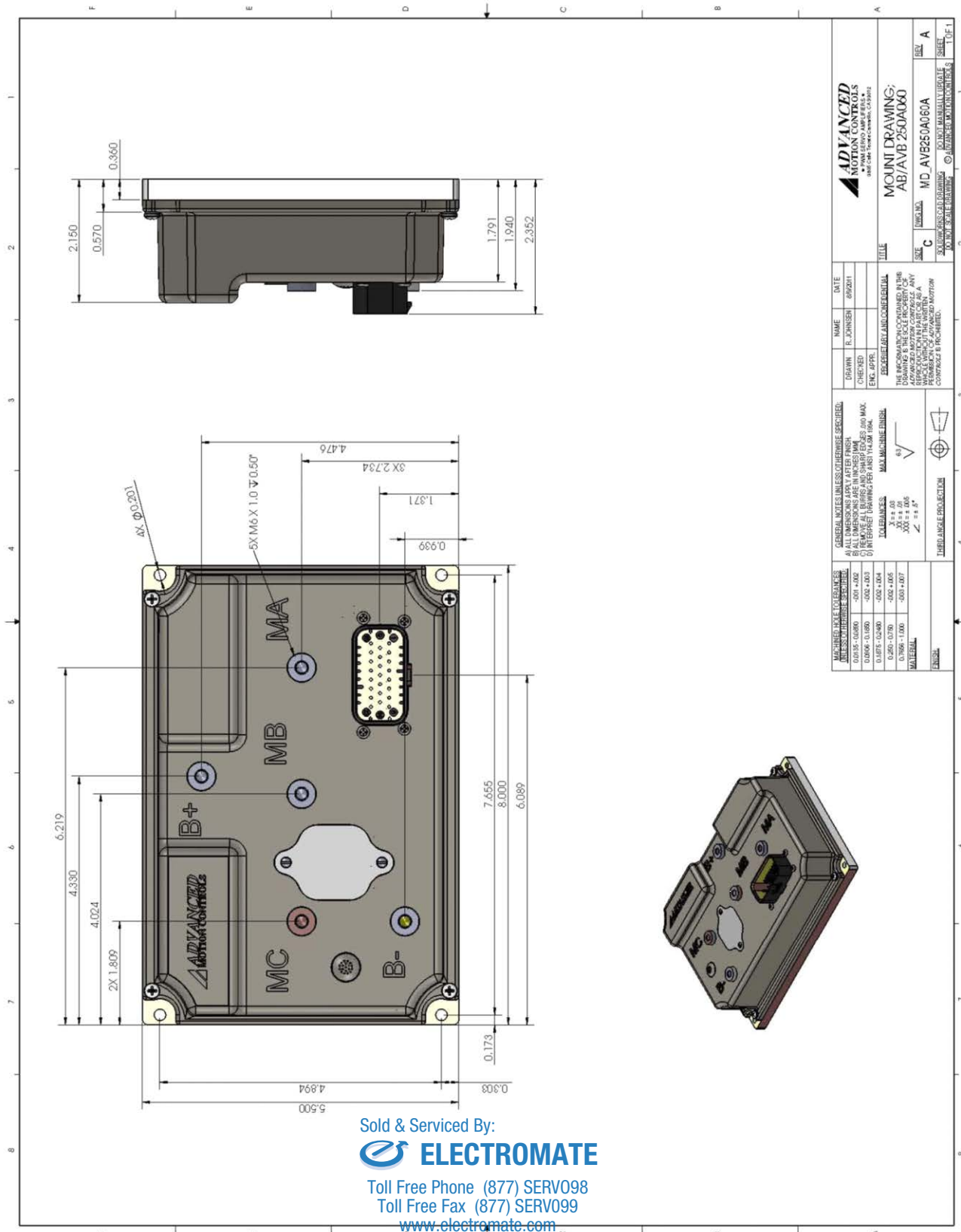
WIRING DIAGRAM



Sold & Serviced By:

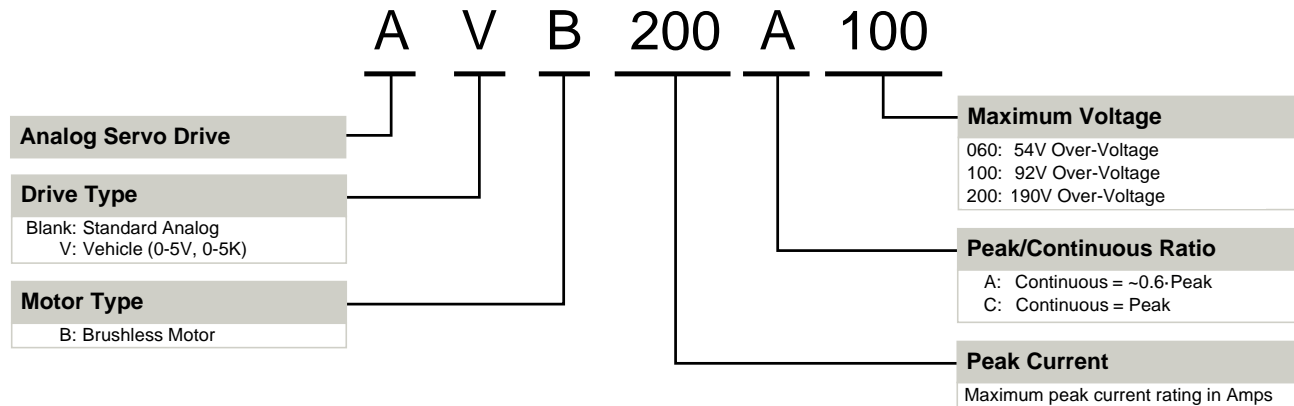
 Toll Free Phone (877) SERV098
 Toll Free Fax (877) SERV099
 www.electromate.com
 sales@electromate.com

MOUNTING DIMENSIONS



Sold & Serviced By:
ELECTROMATE
 Toll Free Phone (877) SERV098
 Toll Free Fax (877) SERV099
www.electromate.com
sales@electromate.com

PART NUMBERING INFORMATION



ADVANCED Motion Controls servo drives are available in many configurations. Note that not all possible part number combinations are offered as standard drives. All models listed in the selection tables of the website are readily available, standard product offerings.

ADVANCED Motion Controls also has the capability to promptly develop and deliver specified products for OEMs with volume requests. Our Applications and Engineering Departments will work closely with your design team through all stages of development in order to provide the best servo drive solution for your system. Equipped with on-site manufacturing for quick-turn customs capabilities, ADVANCED Motion Controls utilizes our years of engineering and manufacturing expertise to decrease your costs and time-to-market while increasing system quality and reliability.

Examples of Customized Products

- ▲ Integration of Drive into Motor Housing
- ▲ Mount OEM PCB onto Drive Without Cables
- ▲ Multi-axis Configuration for Compact System
- ▲ Custom PCB and Baseplate for Optimized Footprint
- ▲ RTV/Epoxy Components for High Vibration
- ▲ OEM Specified Connectors for Instant Compatibility
- ▲ OEM Specified Silkscreen for Custom Appearance
- ▲ Increased Thermal Limits for High Temp. Operation
- ▲ Integrate OEM Circuitry onto Drive PCB
- ▲ Custom Control Loop Tuned to Motor Characteristics
- ▲ Custom I/O Interface for System Compatibility
- ▲ Preset Switches and Pots to Reduce User Setup
- ▲ Optimized Switching Frequency
- ▲ Ramped Velocity Command for Smooth Acceleration
- ▲ Remove Unused Features to Reduce OEM Cost
- ▲ Application Specific Current and Voltage Limits

Feel free to contact Applications Engineering for further information and details.

Sold & Serviced By:



Toll Free Phone (877) SERV098

Toll Free Fax (877) SERV099

www.electromate.com

sales@electromate.com