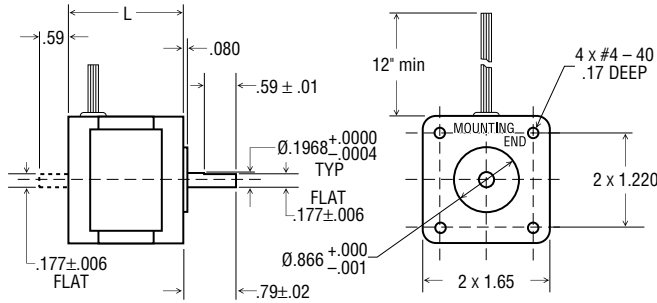




STEP MOTORS

Hybrid Step Motors
 SIZE HT 17



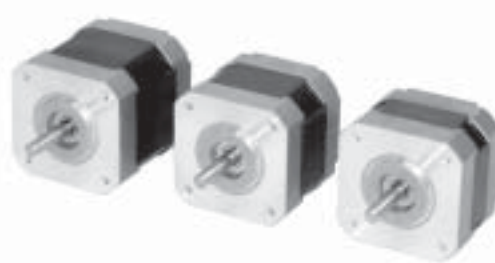
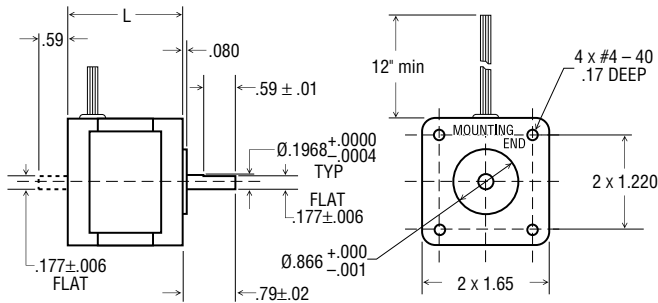
| Part # | MOTOR CONNECTION 1 = series 2 = parallel 3 = unipolar | Motor Length (inches) | Minimum Holding Torque (oz-in) | Leads | Step Angle | Electrical | | | | Rotor Inertia (oz-in ² /G-CM ²) | Motor Weight (Lbs.) |
|----------|--|-----------------------|--------------------------------|-------|------------|------------|------|------|------|--|---------------------|
| | | | | | | Volts | Amps | Ohms | mH | | |
| HT17-068 | 1 | 1.3 | 31.4 | 8 | 1.8 | 5.7 | .67 | 8.4 | 11.2 | .190/35.0 | .44 |
| | 2 | ↓ | 31.4 | ↓ | ↓ | 2.8 | 1.34 | 2.1 | 2.8 | ↓ | ↓ |
| | 3 | ↓ | 22.2 | ↓ | ↓ | 4.0 | 0.95 | 4.2 | 2.8 | ↓ | ↓ |
| HT17-069 | 1 | ↓ | 31.4 | ↓ | ↓ | 13.6 | 0.28 | 48.0 | 60.0 | ↓ | ↓ |
| | 2 | ↓ | 31.4 | ↓ | ↓ | 6.8 | 0.57 | 12.0 | 15.0 | ↓ | ↓ |
| | 3 | ↓ | 22.2 | ↓ | ↓ | 9.6 | 0.40 | 24.0 | 15.0 | ↓ | ↓ |
| HT17-070 | 1 | ↓ | 31.4 | ↓ | ↓ | 17.5 | 0.22 | 80.0 | 88.0 | ↓ | ↓ |
| | 2 | ↓ | 31.4 | ↓ | ↓ | 8.8 | 0.44 | 20.0 | 22.0 | ↓ | ↓ |
| | 3 | ↓ | 22.2 | ↓ | ↓ | 12.4 | 0.31 | 40.0 | 22.0 | ↓ | ↓ |
| HT17-071 | 1 | 1.54 | 51.0 | ↓ | ↓ | 5.7 | 0.85 | 6.6 | 14.4 | .29/54.0 | .57 |
| | 2 | ↓ | 51.0 | ↓ | ↓ | 2.8 | 1.70 | 1.7 | 3.6 | ↓ | ↓ |
| | 3 | ↓ | 36.1 | ↓ | ↓ | 4.0 | 1.20 | 3.3 | 3.6 | ↓ | ↓ |
| HT17-072 | 1 | ↓ | 51.0 | ↓ | ↓ | 9.0 | 0.57 | 16.0 | 30.4 | ↓ | ↓ |
| | 2 | ↓ | 51.0 | ↓ | ↓ | 4.5 | 1.13 | 4.0 | 7.6 | ↓ | ↓ |
| | 3 | ↓ | 36.1 | ↓ | ↓ | 6.4 | 0.80 | 8.0 | 7.6 | ↓ | ↓ |

OTHER LENGTHS AND WINDINGS AVAILABLE UPON REQUEST

- Part numbers listed are for single shaft. To order double shaft add 'D' to the end.
- All HT17 motors are optimized for microstepping.



STEP MOTORS



| Part # | MOTOR CONNECTION 1 = series 2 = parallel 3 = unipolar | Motor Length (inches) | Minimum Holding Torque (oz-in) | Leads | Step Angle | Volts | Amps | Ohms | mH | Rotor Inertia (oz-in ² /G-CM ²) | Motor Weight (Lbs.) |
|----------|--|-----------------------|--------------------------------|-------|------------|-------|------|-------|-------|--|---------------------|
| | | | | | | | | | | | |
| HT17-073 | 1 | 1.54 | 51.0 | 8 | 1.8 | 17.0 | 0.28 | 60.0 | 120.0 | .29/54.0 | .57 |
| | 2 | ↓ | 51.0 | ↓ | ↓ | 8.5 | 0.57 | 15.0 | 30.0 | ↓ | ↓ |
| | 3 | ↓ | 36.1 | ↓ | ↓ | 12.0 | 0.40 | 30.0 | 30.0 | ↓ | ↓ |
| HT17-074 | 1 | ↓ | 51.0 | ↓ | ↓ | 33.9 | 0.14 | 240.0 | 424.0 | ↓ | ↓ |
| | 2 | ↓ | 51.0 | ↓ | ↓ | 17.0 | 0.28 | 60.0 | 106.0 | ↓ | ↓ |
| | 3 | ↓ | 36.1 | ↓ | ↓ | 24.0 | 0.20 | 120.0 | 106.0 | ↓ | ↓ |
| HT17-075 | 1 | 1.85 | 62.8 | ↓ | ↓ | 5.7 | 0.85 | 6.6 | 12.0 | .37/68.0 | .73 |
| | 2 | ↓ | 62.8 | ↓ | ↓ | 2.8 | 1.70 | 1.7 | 3.0 | ↓ | ↓ |
| | 3 | ↓ | 44.4 | ↓ | ↓ | 4.0 | 1.20 | 3.3 | 3.0 | ↓ | ↓ |
| HT17-076 | 1 | ↓ | 62.8 | ↓ | ↓ | 10.2 | 0.57 | 18.0 | 38.0 | ↓ | ↓ |
| | 2 | ↓ | 62.8 | ↓ | ↓ | 5.1 | 1.13 | 4.5 | 9.5 | ↓ | ↓ |
| | 3 | ↓ | 44.4 | ↓ | ↓ | 7.2 | 0.80 | 9.0 | 9.5 | ↓ | ↓ |
| HT17-077 | 1 | ↓ | 62.8 | ↓ | ↓ | 17.0 | 0.28 | 60.0 | 116.0 | ↓ | ↓ |
| | 2 | ↓ | 62.8 | ↓ | ↓ | 8.5 | 0.57 | 15.0 | 29.0 | ↓ | ↓ |
| | 3 | ↓ | 44.4 | ↓ | ↓ | 12.0 | 0.40 | 30.0 | 29.0 | ↓ | ↓ |

OTHER LENGTHS AND WINDINGS AVAILABLE UPON REQUEST

- Part numbers listed are for single shaft. To order double shaft add 'D' to the end.
- All HT17 motors are optimized for microstepping.

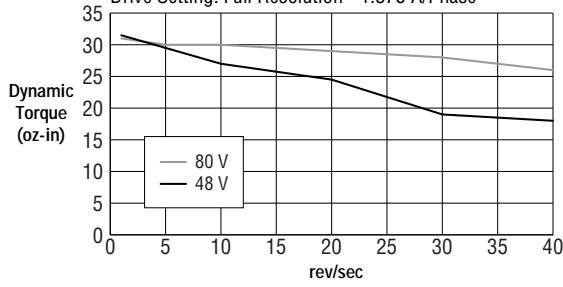
Hybrid Step Motors
 SIZE HT 17



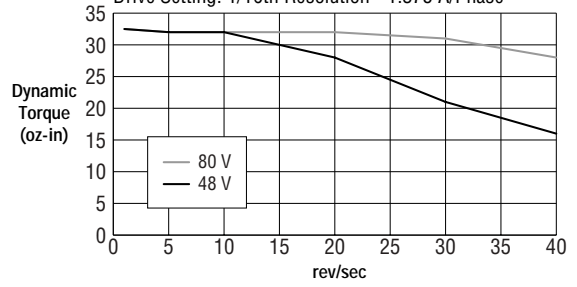
Size HT17 Motor

Typical Speed/Torque Performance*

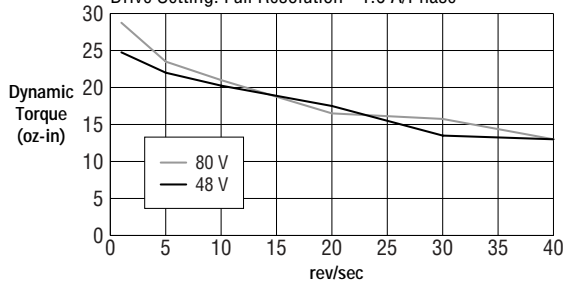
HT17-068 MOTOR
 Motor Connection: Parallel
 Drive Setting: Full Resolution • 1.375 A/Phase



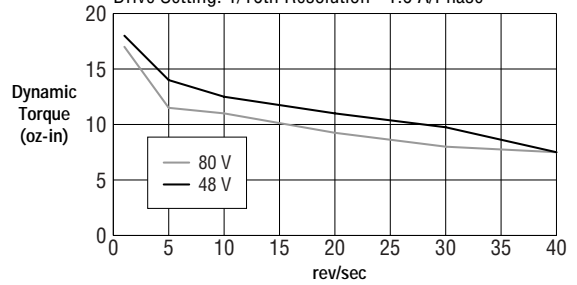
HT17-068 MOTOR
 Motor Connection: Parallel
 Drive Setting: 1/10th Resolution • 1.375 A/Phase



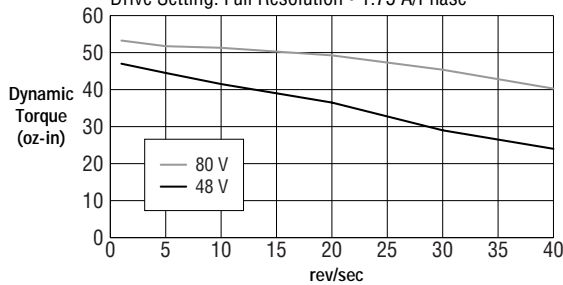
HT17-071 MOTOR
 Motor Connection: Parallel
 Drive Setting: Full Resolution • 1.0 A/Phase



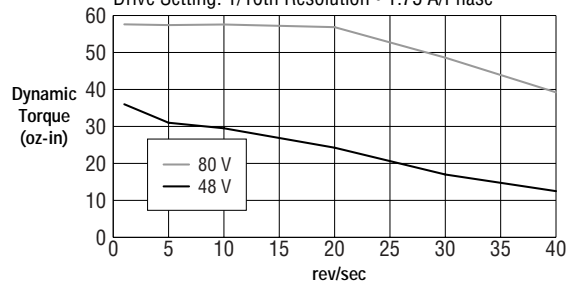
HT17-071 MOTOR
 Motor Connection: Parallel
 Drive Setting: 1/10th Resolution • 1.0 A/Phase



HT17-075 MOTOR
 Motor Connection: Parallel
 Drive Setting: Full Resolution • 1.75 A/Phase



HT17-075 MOTOR
 Motor Connection: Parallel
 Drive Setting: 1/10th Resolution • 1.75 A/Phase



*Full steps/rev = Rev/sec x 200.