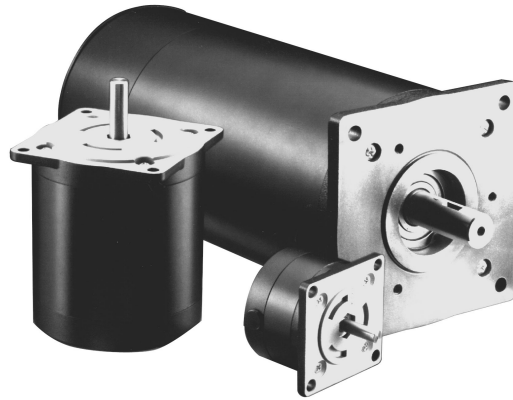


# 72 RPM AC Synchronous Motors

SIZE  
**23 34 42**  
 2.25" 3.38" 4.28"  
 DIA



Sold & Serviced By:  
  
 Toll Free Phone (877) SERV098  
 Toll Free Fax (877) SERV099  
[www.electromate.com](http://www.electromate.com)  
[sales@electromate.com](mailto:sales@electromate.com)

EADmotors 72 RPM synchronous motors are available in frame sizes 23, 34, and 42. These motors are totally enclosed with permanently lubricated ball bearings. And, the 72 RPM speed is obtained without gearing.

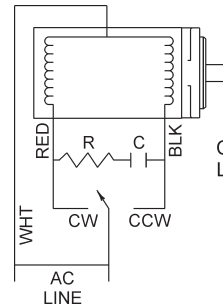
The motors may be reversed with a single pole double throw switch and may be stalled without any harmful effects.

In addition, versions of these motors can be provided to run at 60 RPM from 50 Hz AC.

## Electrical Ratings

Size	Model Number	Voltage (VAC)	Current (amps)	Torque (oz-in)	Rotor Inertia (oz-in-sec)	Resistor	Capacitor	Weight (ounces)
23	LA23ACB-1	120	0.10	25	.0012	500 OHM 5 WATT	0.75 mfd 330 VAC	20
	LA23ACB-2	120	0.08	44	.0017	100 OHM 5 WATT	0.75 mfd 330 VAC	20
	LA23BCB-1	120	0.20	100	.00331	400 OHM 25 WATT	2.25 mfd 330 VAC	32
34	LA34ADB-2	120	0.30	100	.0078	400 OHM 25 WATT	2.25 mfd 330 VAC	48
	LA34ADB-4	120	0.18	100	.0078	500 OHM 25 WATT	2.0 mfd 330 VAC	48
	LA34BGB-5	120	0.35	210	.0170	200 OHM 25 WATT	4.0 mfd 330 VAC	80
	LA34CJB-6	120	0.45	300	.0265	200 OHM 50 WATT	5.0 mfd 330 VAC	121
42	LB42BCB-1	120	0.4	175	.0550	250 OHM 25 WATT	3.75 mfd 330 VAC	150
	LB42BCB-2	120	0.6	275	.0550	150 OHM 50 WATT	6.5 mfd 330 VAC	150
	LB42CNB-1	120	0.6	450	.1140	150 OHM 50 WATT	6.5 mfd 330 VAC	254

## Connection Diagram



Connections for AC operation.  
 Lead end rotation.

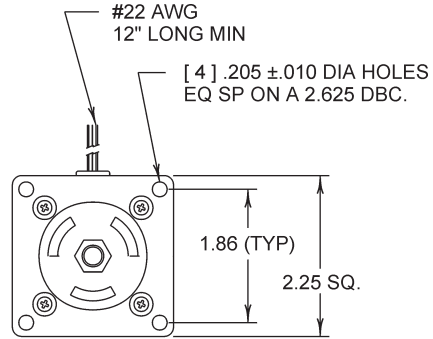
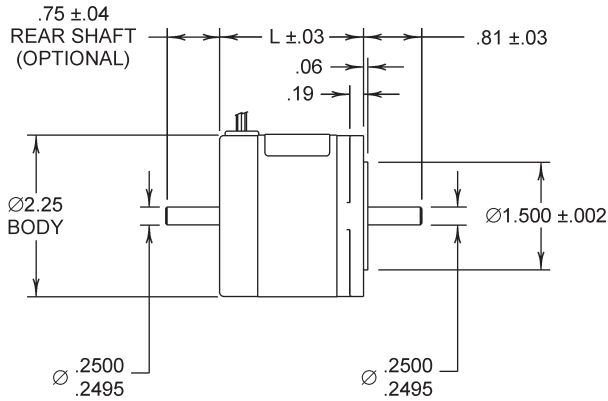
Note:  
 Resistor/capacitor networks are supplied by the customer unless otherwise indicated.  
 Consult the factory for further information.

Solutions in motion



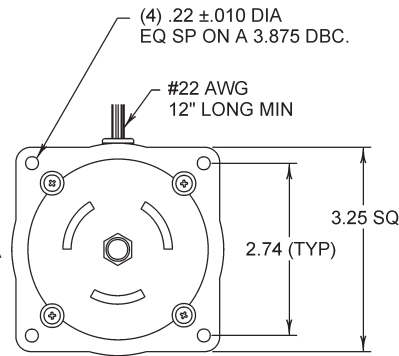
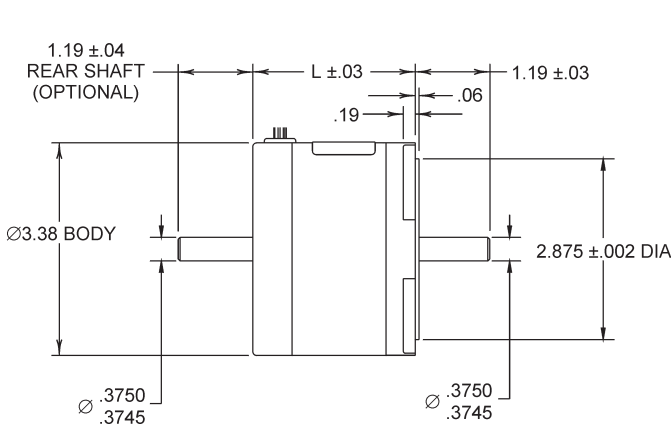
# 72 RPM AC Synchronous Motors

SIZE		
<b>23</b>	<b>34</b>	<b>42</b>
2.25"	3.38"	4.28"
DIA		



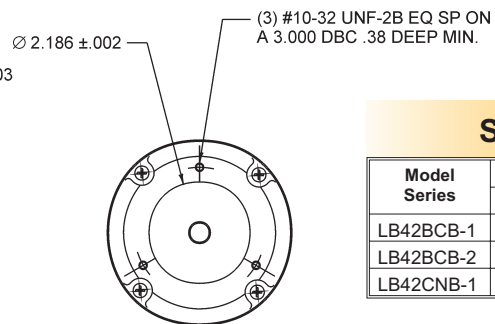
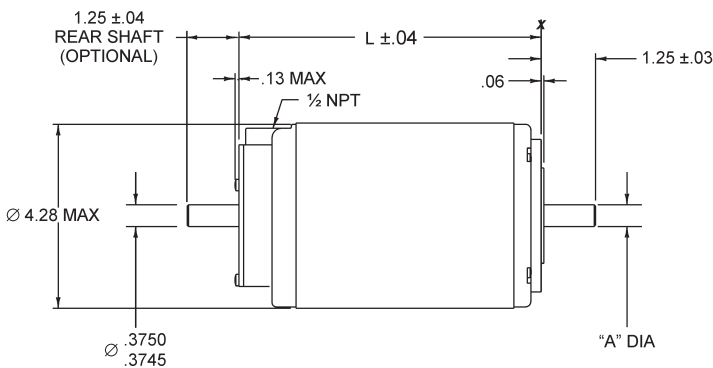
## Size 23

Model Series	Dimension "L" (inches)
LA23ACB-1	2.25
LA23ACB-2	2.25
LA23BCB-1	3.00



## Size 34

Model Series	Dimension "L" (inches)
LA34ADB-2	2.45
LA34ADB-4	2.45
LA34BGB-5	3.70
LA34CJB-6	5.06



## Size 42

Model Series	Dimension (inches)	
	"L"	"A"
LB42BCB-1	4.80	.3750/.3745
LB42BCB-2	4.80	.3750/.3745
LB42CNB-1	6.97	.5000/.4995