

Lifting columns CPMB



Universal power supply



Plug and play



Low noise level



Cable through pillar



Soft start and stop control



Standards
IEC 60601-1:2005
(3rd edition) compliant

CPMB

For infant care

Benefits

- Universal power supply
- Plug and play
- Soft start and stop control
- Low noise level
- Cable through column
- Grounding continuity

Standards

- IEC 60601-1:2005 (3rd edition) compliant



Technical data

| | Unit | CPMB1-1 | CPMB1-2 | CPMB2-2 |
|-------------------------------------|--------------|-------------------------|-------------------------|-------------------------|
| Rated push load (with self locking) | N | 1 000 | 2 000 | 2 000 |
| Rated pull load | N | 0 | 0 | 0 |
| Bending moment (dynamic) | Nm | up to 115 ¹⁾ | up to 250 ¹⁾ | up to 250 ¹⁾ |
| Speed (full load to no load) | mm/s | 14 to 15 | 11 to 15 | 11 to 15 |
| Lifting column version | # of section | 2-section | 2-section | 2-section |
| Stroke | mm | 230 to 400 | 230 to 400 | 200 to 400 |
| Retracted length | mm | S+160 | S+160 | S+160 |
| Static Load (Max) in push way | N | 8 000 | 8 000 | 8 000 |
| Static bending moment (Max) | Nm | 500 | 500 | 500 |
| Voltage (rated) | V | 100–240 AC 50/60 Hz | 100–240 AC 50/60 Hz | 24 DC |
| Input current (rated) | A | 1,5 | 1,6 | 5 |
| Duty cycle: intermittent operation | on/off | 1 min./9 min. | 1 min./9 min. | 1 min./9 min. |
| Ambient temperature | °C | +10 to +40 | +10 to +40 | +10 to +40 |
| Degree of protection | IP | 30 | 30 | 30 |
| Protection class | – | I | I | – |
| Type of control | – | electrical | electrical | electrical |
| Noise level (Max) | dB(A) | 45 | 45 | 45 |
| Weight | kg | 8 to 11 | 9 to 12 | 8 to 11 |

¹⁾ For details, see offset load diagrams (→ page 4)

Sold & Serviced By:



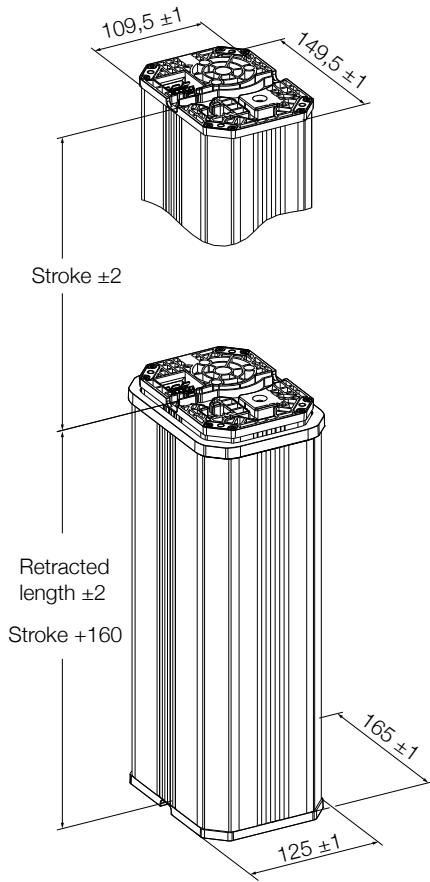
Toll Free Phone (877) SERV098

Toll Free Fax (877) SERV099

www.electromate.com

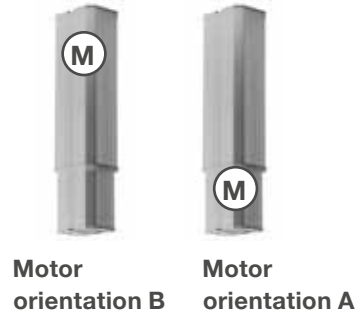
sales@electromate.com

Dimensional drawing

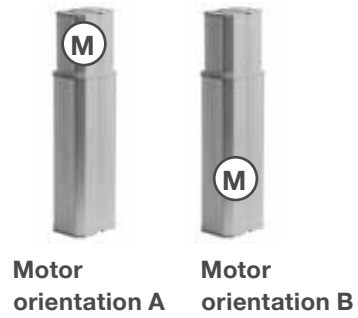


More flexibility with Series CPMB design options

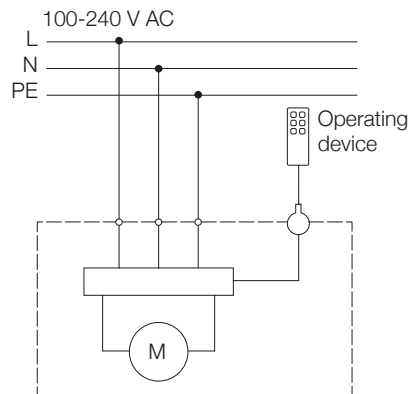
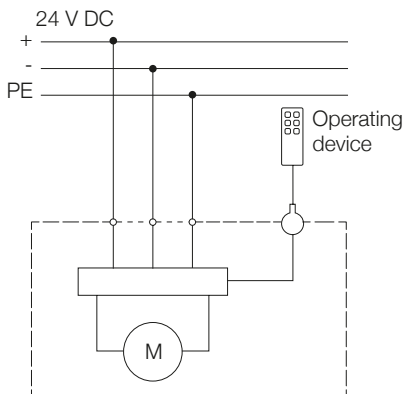
Built-in with outer tube on top
More hygienic and easy-to-clean design



Built-in with outer tube on bottom
More aesthetic design



Connecting diagrams

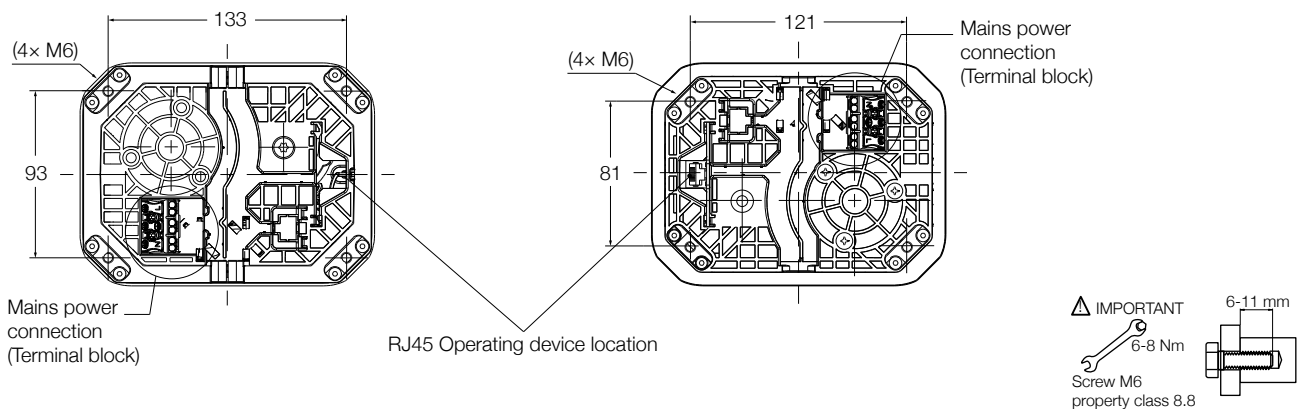


Suitable operating devices

| | External power supply 24 V DC | EHA4 | STL | STK |
|---------|-------------------------------|------|-----|-----|
| CPMB1-1 | | • | • | • |
| CPMB1-2 | | • | • | • |
| CPMB2-2 | • | • | • | • |

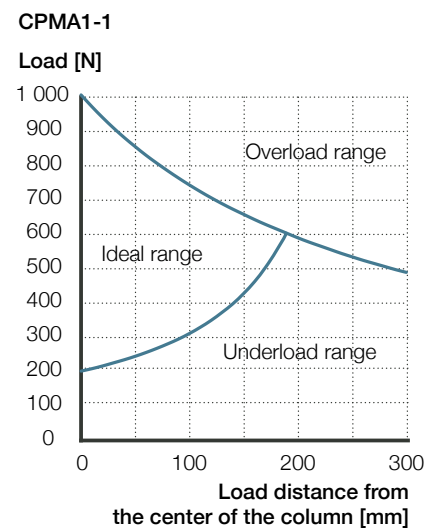
Hand switch
 Foot switch
 Desk switch

Connections and fastening

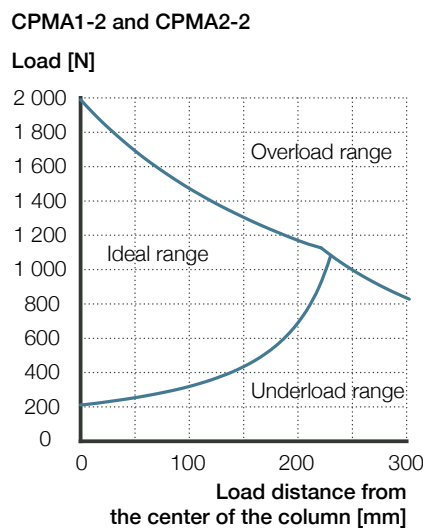


Column must be attached on plane and rigid surface by 4 screws M6 with a depth of 6 to 11 mm in the column. The total length of the screw must be adjusted to the height of the fixture.

Offset load diagrams

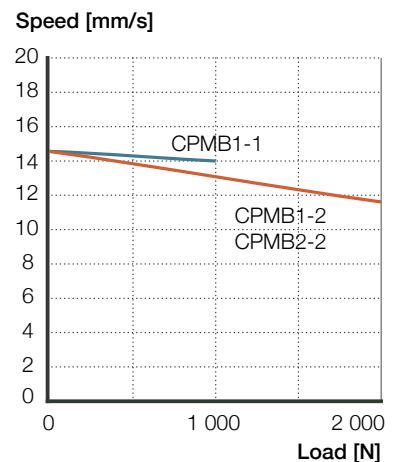


Offset load at full extension in the best axis



Offset load at full extension in the best axis

Performance diagram



— CPMA1-1 — CPMA1-2, CPMA2-2

Inlet socket box – ZDV



Benefits

- Multifunction plug and play accessory
- Detachable mains power cord
- Replaceable fuses
- LAN Connector
- Easy to use
- Cord strain relief

Standards

- IEC 60601-1:2005 (3rd edition) compliant

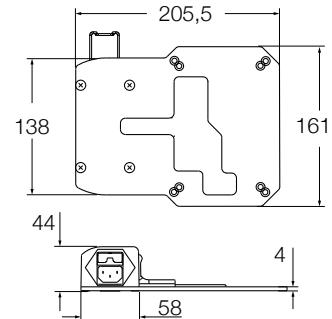
Suitable operating devices

| | Columns | Hand switches | Foot switches | Desk switches | Mains cables | Detachable mains cords |
|----------------|-------------------------------|------------------|-------------------|--|--|---|
| | CPMB1-1 CPMB1-2 CPMB2-2 | EHA41-13N10N-000 | STL01-GW1000-X190 | STK01-SW3000-X100 STK01-UW3000-X100 | ZKA-140449-2500 ZKA-140450-2500 ZKA-140451-2500 ZKA-140452-2500 ZKA-140458-2500 ZKA-140460-2500 | ZKA-140453-2500 ZKA-140454-2500 ZKA-140455-2500 ZKA-140456-2500 ZKA-140461-2500 |
| ZDV-348220-002 | • | • | • | • | | • |

Technical data

- IEC inlet mains power socket with retainer
- 1 RJ45 for operating device
- 1 RJ45 for LAN
- 2 replaceable fuses 8 A
- Plate with holes as the plates of the column CPMA
- Can be fastened on inner and outer tube

Dimensional drawing



Outlet socket box – ZDV



Benefits

- Multifunction plug and play accessory
- 3 IEC outlet sockets
- Replaceable fuses
- Integrated mounting plate
- LAN Connector
- Easy to use

Standards

- IEC 60601-1:2005 (3rd edition) compliant

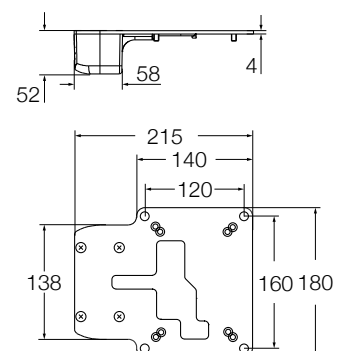
Suitable operating devices

| | Columns | Hand switches | Foot switches | Desk switches | Mains cables | Detachable mains cords |
|----------------|-------------------------------|------------------|-------------------|--|--|--|
| | CPMB1-1 CPMB1-2 CPMB2-2 | EHA41-13N10N-000 | STL01-GW1000-X190 | STK01-SW3000-X100 STK01-UW3000-X100 | ZKA-140449-2500 ZKA-140450-2500 ZKA-140451-2500 ZKA-140452-2500 ZKA-140458-2500 ZKA-140460-2500 | ZKA-140453-2500 ZKA-140454-2500 ZKA-140455-2500 ZKA-140456-2500 ZKA-140459-2500 ZKA-140461-2500 |
| ZDV-348221-002 | • | • | • | • | | |

Technical data

- 3 IEC mains power outlet sockets
- 1 RJ45 for operating device
- 1 RJ45 for LAN
- 2 replaceable fuses 8 A
- Integrated mounting plate with 4 holes 9 mm diameter
- 4 screws to fasten on column CPMA
- Can be fastened on inner and outer tube

Dimensional drawing



Mounting plate – ZPL



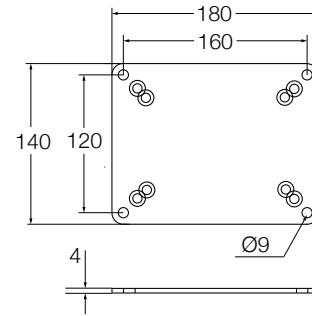
Benefits

- Easy to use

Suitable operating devices

| | Columns | | |
|------------|---------|---------|---------|
| | CPMA1-1 | CPMA1-2 | CPMA2-2 |
| ZPL-348382 | • | • | • |

Dimensional drawing



Technical data

- Can be fastened on inner and outer tube
- Mounting plate with 4 holes 9 mm diameter

Mains cable and detachable mains cord – ZKA

Mains cable



Detachable mains cord



Mains cable

| | Columns | | | Socket boxes | |
|-----------------|---------|---------|---------|----------------|----------------|
| | CPMB1-1 | CPMB1-2 | CPMB2-2 | ZDV-348220-002 | ZDV-348221-002 |
| ZKA-140449-2500 | • | • | | | |
| ZKA-140450-2500 | • | • | | | |
| ZKA-140451-2500 | • | • | | | |
| ZKA-140452-2500 | • | • | | | |
| ZKA-140458-2500 | • | • | | | |
| ZKA-140460-2500 | • | • | | | |

Detachable mains cord

| | Columns | | | Socket boxes | |
|-----------------|---------|---------|---------|----------------|----------------|
| | CPMB1-1 | CPMB1-2 | CPMB2-2 | ZDV-348220-002 | ZDV-348221-002 |
| ZKA-140453-2500 | • | • | | | |
| ZKA-140454-2500 | • | • | | | |
| ZKA-140455-2500 | • | • | | | |
| ZKA-140456-2500 | • | • | | | |
| ZKA-140459-2500 | • | • | | | |
| ZKA-140461-2500 | • | • | | | |

Benefits

- Easy to use
- Identification by a product label

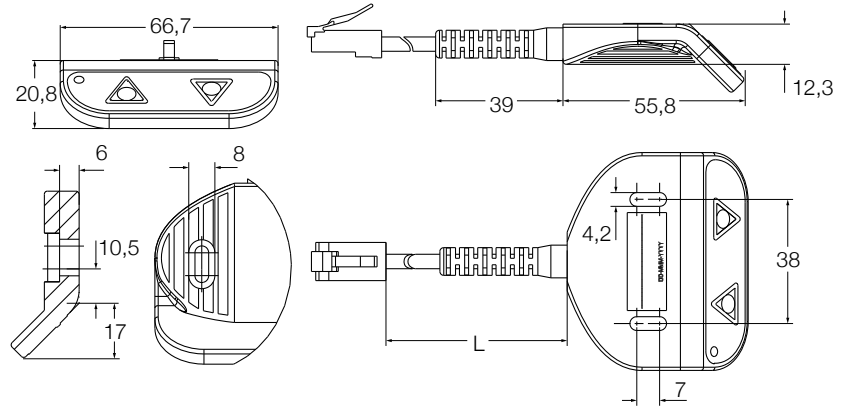
Standards

- IEC 60601-1:2005 (3rd edition) compliant

Desk switch – STK



Dimensional drawing



Benefits

- Easy and precise
- Stylish design
- Tactile buttons with finger guide
- 2 colors LED for power and feedback status

Standards

- IEC 60601-1:2005 (3rd edition) compliant

Suitable operating devices

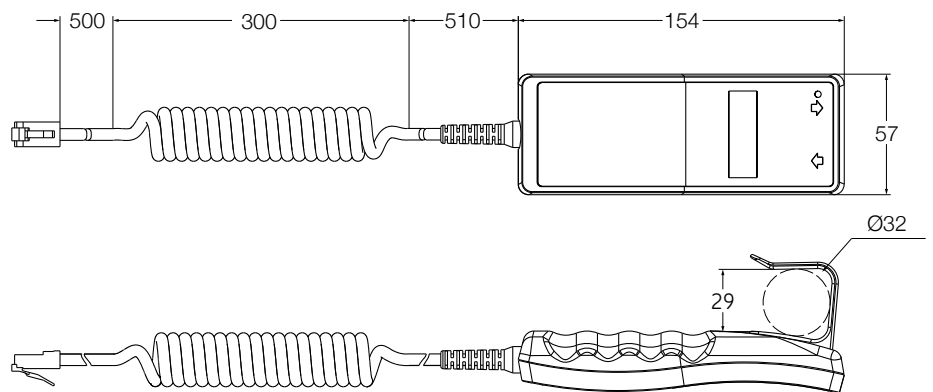
| | Columns | | | Socket boxes | | Designation | L [mm] |
|-------------------|---------|---------|---------|----------------|----------------|-------------------|--------|
| | CPMA1-1 | CPMA1-2 | CPMA2-2 | ZDV-348220-002 | ZDV-348221-002 | STK01-SW3000-X100 | 500 |
| | | | | | | STK01-UW3000-X100 | 1 000 |
| STK01-SW3000-X100 | • | • | • | • | • | | |
| STK01-UW3000-X100 | • | • | • | • | • | | |

See page 8 and 9 for technical data and ordering key

Hand switch – EHA



Dimensional drawing



Benefits

- Robust ergonomic design
- Tactile buttons
- Easy mountable fastening hook
- 2 colors LED for power and feedback status

Standards

- IEC 60601-1:2005 (3rd edition) compliant

Suitable operating devices

| | Columns | | | Socket boxes | |
|-----|---------|---------|---------|----------------|----------------|
| | CPMB1-1 | CPMB1-2 | CPMB2-2 | ZDV-348220-002 | ZDV-348221-002 |
| EHA | • | • | • | • | • |

See page 8 and 9 for technical data and ordering key

Foot switch – STL



Benefits

- Easy to use
- Ergonomic design

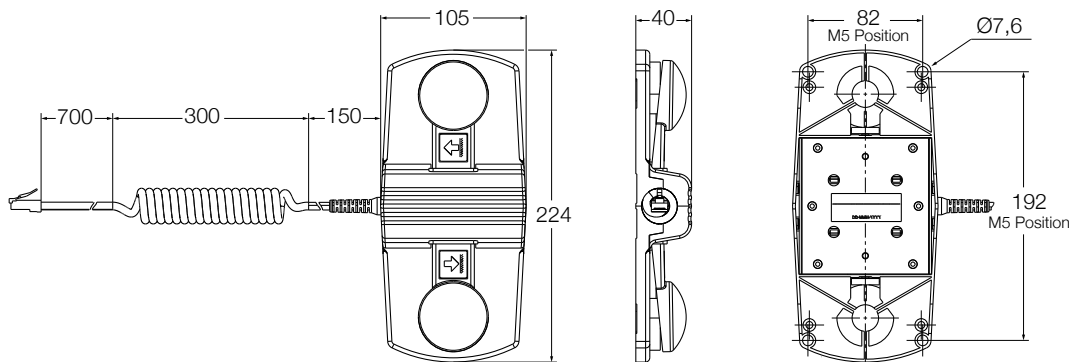
Standards

- IEC 60601-1:2005 (3rd edition) compliant

Suitable operating devices

| | Columns | | | Socket boxes | |
|-------|---------|---------|---------|----------------|----------------|
| | CPMB1-1 | CPMB1-2 | CPMB2-2 | ZDV-348220-002 | ZDV-348221-002 |
| STL01 | • | • | • | • | • |

Dimensional drawing



Switches technical data

| | Unit | EHA4 | STL | STK |
|-------------------------|---------|--|---------------------|--|
| Max. operating channels | n° | 1 | 1 | 1 |
| Operating power | V DC/mA | 5/20 | 5/20 | 5/20 |
| Degree of protection | IP | 67 | x2 | – |
| Color | – | Grey | Grey and anthracite | Grey |
| Indicator | – | LED 2 colors for power and feedback status | – | LED 2 colors for power and feedback status |
| Plug | – | RJ45 | RJ45 | RJ45 |
| Hook | – | with hook | – | – |
| Symbols | – | with arrows up/down | with arrows up/down | with arrows up/down |

Sold & Serviced By:



Toll Free Phone (877) SERV098

Toll Free Fax (877) SERV099

www.electromate.com

sales@electromate.com

Accessories

| Description | Plug | Country | Part number | Order Number |
|---|------------------|----------------------|-------------------|--------------|
| Mains cable straight 2,5 m | Schuko | Germany, France, ... | ZKA-140449-2500 | 130015 |
| | Typ-L | Italy | ZKA-140450-2500 | 130016 |
| | British standard | UK | ZKA-140451-2500 | 130017 |
| | NEMA | USA, Japan, ... | ZKA-140452-2500 | 130018 |
| | SEV | CH | ZKA-140458-2500 | 130256 |
| | AS 3112 | PRC, Australia, ... | ZKA-140460-2500 | 130391 |
| Detachable mains cord straight 2,5 m (to plug in socket box Inlet) | Schuko | Germany, France, ... | ZKA-140453-2500 | 130019 |
| | Typ-L | Italy | ZKA-140454-2500 | 130020 |
| | British standard | UK | ZKA-140455-2500 | 130021 |
| | NEMA | USA, Japan, ... | ZKA-140456-2500 | 130022 |
| | SEV | CH | ZKA-140459-2500 | 130257 |
| | AS 3112 | PRC, Australia, ... | ZKA-140461-2500 | 130392 |
| Desk switch with LED, cable 0,5 m | | | STK01-SW3000-X100 | 130025 |
| Desk switch with LED, cable 1,0 m | | | STK01-UW3000-X100 | 130026 |
| Handset with LED, cable coiled 1,3 m | | | EHA41-13N00N-000 | 131033 |
| Foot switch, cable coiled 1,3 m | | | STL01-GW1000-X100 | 131873 |
| Mounting plate | | | ZPL-348382 | 130024 |
| Socket box inlet: IEC, RJ45 LAN, RJ45 op. device | | | ZDV-348220-002 | 130030 |
| Socket box outlet: 3xIEC, RJ45 LAN, RJ45 op. device | | | ZDV-348221-002 | 130032 |

Ordering key

C P M B - 2 - - - - 0 - 0 0 0

Type _____

Voltage _____

1 100–240 V AC 50/60 Hz

2 24 V DC

Load _____

Push

1 1 000 N Only for AC version

2 2 000 N

Tube set _____

2 2-section

Stroke length _____

200 200 mm Only for DC version

230 230 mm

250 250 mm

300 300 mm

400 400 mm

--- Other per 10 mm from 200 mm or a mm for AC version up to 400 mm

Motor orientation ¹⁾ _____

A Motor in inner tube

B Motor in outer tube

Operating device orientation _____

A Operating device socket as the motor

B Operating device socket at both sides

¹⁾ Dimensions are depicted with the tube in the top position (page 201)

Options shown in red are only available on request. Contact Ewellix for more information on minimum quantities and additional cost.

Sold & Serviced By:



Toll Free Phone (877) SERV098

Toll Free Fax (877) SERV099

www.electromate.com

sales@electromate.com

ewellix.com

© Ewellix

All contents of this publication are the property of Ewellix, and may not be reproduced or given to third parties (even extracts) without permission. Although great care has been taken in the production of this catalog, Ewellix does not take any responsibility for damage or other loss resulting from omissions or typographical errors. The photo may differ slightly in appearance from the actual product. Due to continuous improvements being made in our products, the product's appearance and specifications are subject to change without notice.

PUB IL-07006/2-EN-November 2021