

## Telescopic pillar TLG



High bending load



Powerful



Standards  
EN/IEC 60601-1  
UL 60601-1

# TLG

## Telemag telescopic pillar



### Benefits

- High bending load
- Powerful

### Standards

- EN/IEC 60601-1
- UL 60601-1

### Technical data

	Unit	TLG 10/11-A	TLG 10-B	TLG 10/11-C
Rated push load	N	4 000	2 500	1 500
Rated pull load	N	0	0	0
Bending load	Nm	up to 2 800 <sup>1)</sup>	up to 1 750 <sup>1)</sup>	up to 950 <sup>1)</sup>
Speed (full load to no load)	mm/s	10 to 14	13 to 17	25 to 33
Telescopic pillar version	# of section	2 or 3-section	2 or 3-section	2 or 3-section
Stroke	mm	200 to 700	200 to 700	200 to 700
Retracted length	mm	S+180	S+180	S+180
Voltage	V DC	24	24	24
Power	W	156	156	156
Current	A	6	6	6
Duty cycle: intermittent operation	min.	1 min./9 min	1 min./9 min	1 min./9 min
Ambient temperature	°C	+10 to +40	+10 to +40	+10 to +40
Type of protection	IP	30	30	30
Protection class	-	SELV	SELV	SELV
Type of control	-	electrical	electrical	electrical
Weight	kg	15 to 30	15 to 30	15 to 30

<sup>1)</sup> For details, please see bending load diagrams (↳ page 4)

Sold & Serviced By:



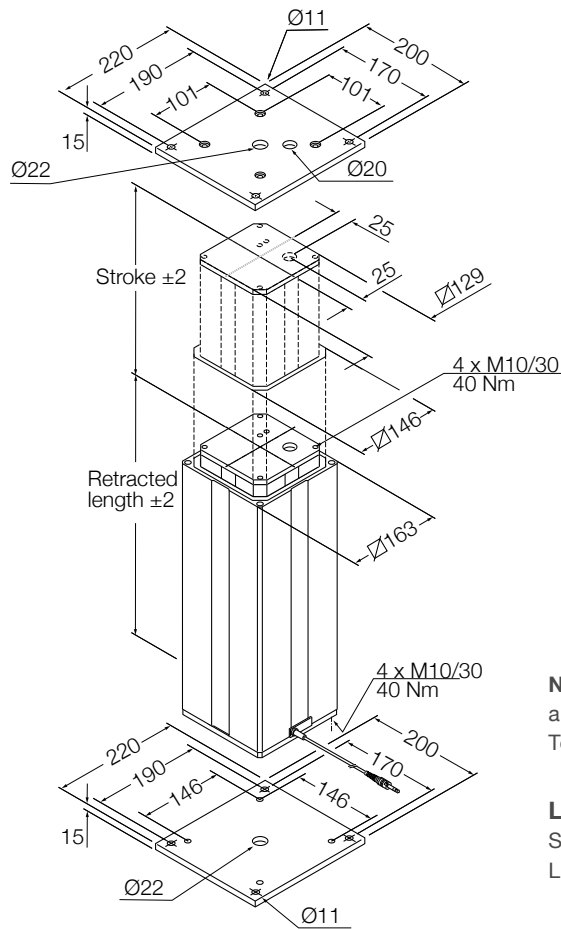
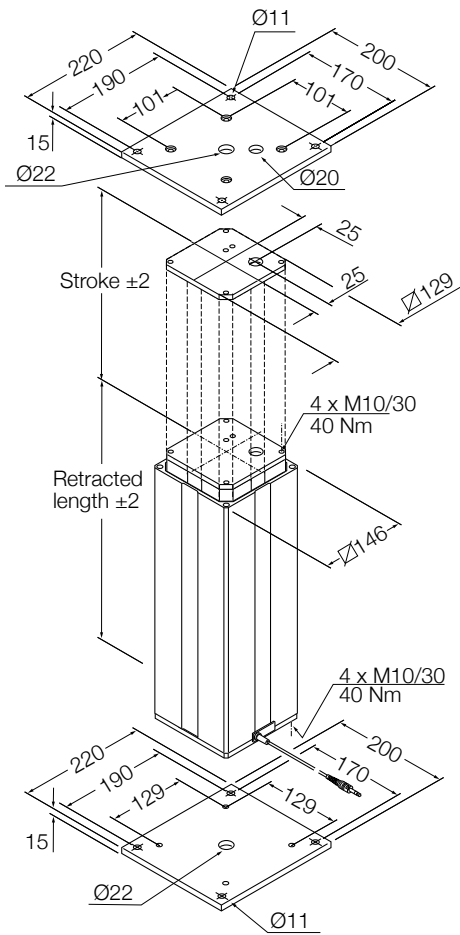
Toll Free Phone (877) SERV098

Toll Free Fax (877) SERV099

[www.electromate.com](http://www.electromate.com)

[sales@electromate.com](mailto:sales@electromate.com)

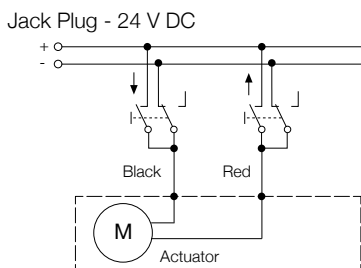
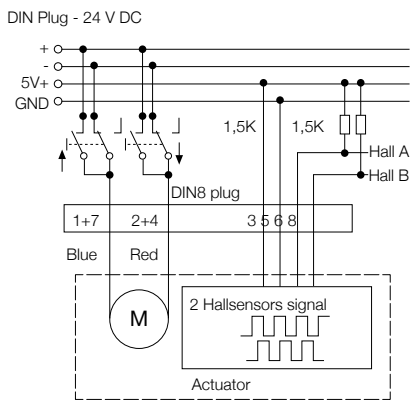
### Dimensional drawing



**Note:** mounting plates are not included. To be ordered separately.

**Legend:**  
S = stroke  
L = retracted length

### Connecting diagrams



### Suitable control units and accessories

TLG	Control units			
	SCU	VCU	BCU	MCU
<b>Operating switches</b>				
EHA 1	•	•	•	•
EHA 3	•	•	•	•
STF				•
STJ	•	•	•	
STA				•
STE	•	•	•	

Hand switch

Foot switch

Desk switch

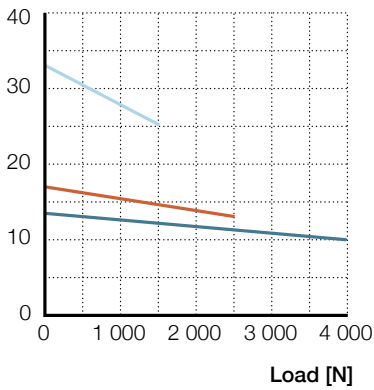
<sup>1)</sup> Only valid with TLG11. TLG10 must be operated by a BCU, MCU, SCU or VCU control unit.

Performance diagrams

Safety factor load conditions

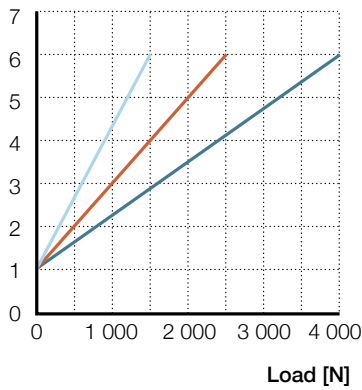
Speed-load diagram

Speed [mm/s]

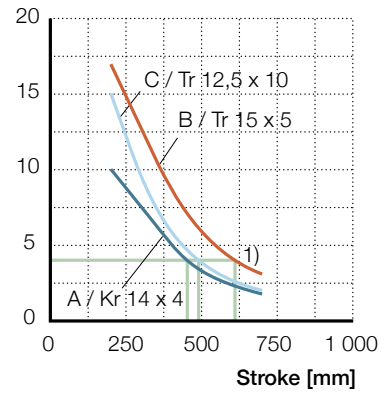


Current-load diagram

Current consumption [A]



Safety factor



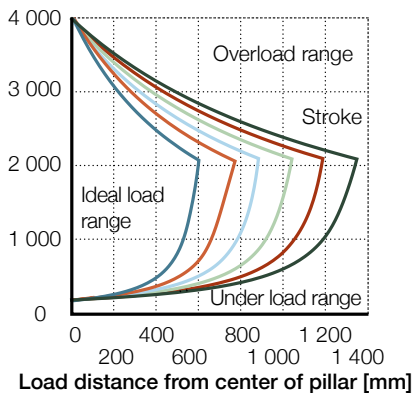
— A — B — C

1) Safety factor =4

Bending load diagrams

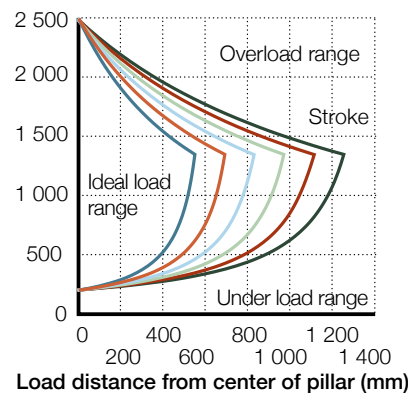
Bending load diagram TLG ...AD

Load [N]



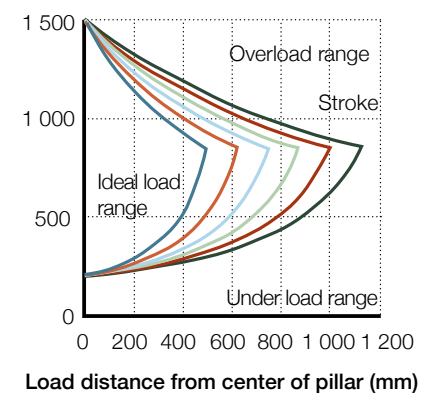
Bending load diagram TLG ...BD

Load [N]



Bending load diagram TLG ...CD

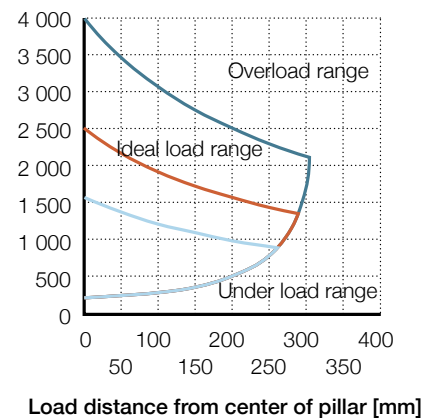
Load [N]



Stroke: — 200 — 300 — 400 — 500 — 600 — 700

Bending load diagram TLG...AA/BA/CA

Load [N]



— TLG1-AA  
— TLG1-BA  
— TLG1-CA

## Accessories

	Designation	Order number
Top mounting plate for 2 × tube set	ZPL-290268	0125624
Bottom mounting plate for 2 × tube set	ZPL-290351	0125625
Top mounting plate for 3 × tube set	ZPL-290268	0125624
Bottom mounting plate for 3 v tube set	ZPL-290265	0125623
Screw (4/plate) for mounting plate	ZBE-510707	0125360

## Ordering key

TLG 1 - - - - - 0 0 0

**Type** \_\_\_\_\_

**Voltage**

- 0 24 V DC
- 1 24 V DC with integrated current cut-off (only for 4 000 N and 1 500 N load version)

**Load**

- A 4 000 N
- B 2 500 N
- C 1 500 N

**Tube set**

- A Tube set 2×
- D Tube set 3×

**Stroke [S]**

- 2 200 mm
- 3 300 mm
- 4 400 mm
- 5 500 mm
- 6 600 mm
- 7 700 mm

**Cable / connecting plug**

- 1 Straight, 1,0 m / jack plug
- 2 Straight, 2,3 m / jack plug
- A Coiled, 0,6 m / jack plug
- 3 Straight, 1,0 m / DIN8 plug
- 4 Straight, 2,3 m / DIN8 plug
- B Coiled, 0,6 m / DIN8 plug

**Option**

- 0 No option
- A 1-Hall encoder, 8 pulses, cable with jack plug
- B Potentiometer, 1 kΩ, 2 Watt, 0,25 % linearity, 10 turns
- C Cable feedthrough, 5 × 0,75 mm<sup>2</sup>, led out, top +160 mm, bottom +800 mm
- D Cable feedthrough, 1-Hall encoder, 8 pulses, cable with jack plug
- E Cable feedthrough, potentiometer
- F 2-Hall encoder, cable with DIN8 plug
- G Cable feedthrough, 2-Hall encoder, cable with DIN8 plug

Options shown in red are only available on demand. Contact Ewellix for more information on minimum quantities and additional cost.

Sold & Serviced By:



Toll Free Phone (877) SERV098

Toll Free Fax (877) SERV099

[www.electromate.com](http://www.electromate.com)

[sales@electromate.com](mailto:sales@electromate.com)

**[ewellix.com](http://ewellix.com)**

© Ewellix

All contents of this publication are the property of Ewellix, and may not be reproduced or given to third parties (even extracts) without permission. Although great care has been taken in the production of this catalog, Ewellix does not take any responsibility for damage or other loss resulting from omissions or typographical errors. The photo may differ slightly in appearance from the actual product. Due to continuous improvements being made in our products, the product's appearance and specifications are subject to change without notice.

PUB IL-07021/1-EN-March 2020