

GEARBOX MODEL (X AXIS)
 MPG-064 ___ MPG-084 ___
 MRG-064 ___ MRG-084 ___
 RATIO: _____

GEARBOX MODEL (Y AXIS)
 MPG-064 ___ MPG-084 ___
 MRG-064 ___ MRG-084 ___
 RATIO: _____

MOTOR INFORMATION (X AXIS)
 MANUFACTURER: _____
 MODEL: _____

MOTOR INFORMATION (Y AXIS)
 MANUFACTURER: _____
 MODEL: _____

SENSOR INFORMATION X-AXIS:
 HOME-QTY ___ 244-_____
 EOT-QTY ___ 244-_____

SENSOR INFORMATION Y-AXIS:
 HOME-QTY ___ 244-_____
 EOT-QTY ___ 244-_____

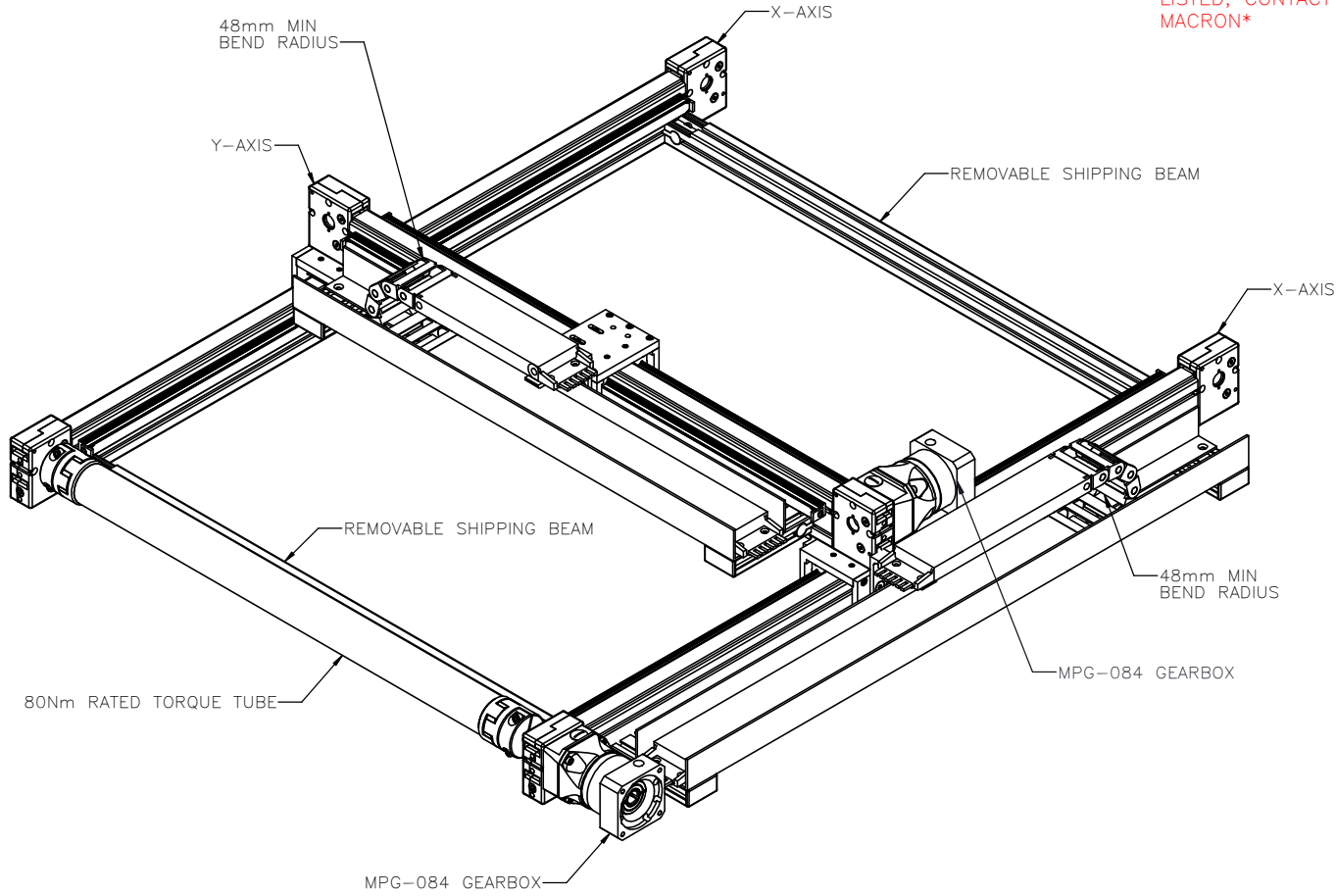
(SEE T-SLOT SENSOR KIT SHEET
 FOR PART NUMBER CONFIGURATION)

MGS-R6S- [] - [] - X

ENTER Y-AXIS TRAVEL
 TRAVEL IN INCREMENTS OF 25mm
 TRAVEL LIMITS: 150mm-2500mm

ENTER X-AXIS TRAVEL
 TRAVEL IN INCREMENTS OF 25mm
 TRAVEL LIMITS: 150mm-5825mm

*IF TRAVEL IS
 OUTSIDE LIMITS
 LISTED, CONTACT
 MACRON*




APPROVED: _____
 SIGN & PRINT

DATE: _____

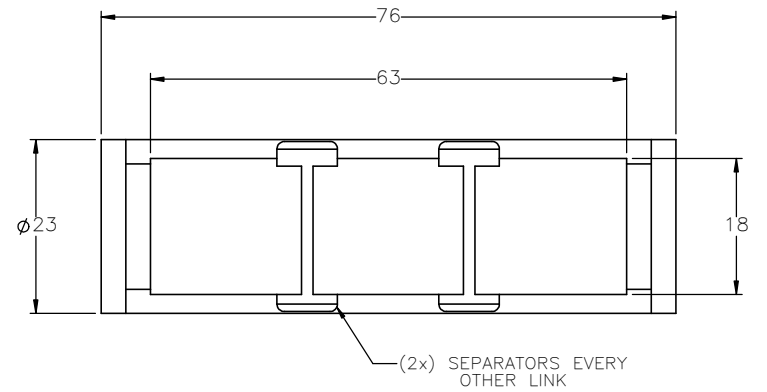
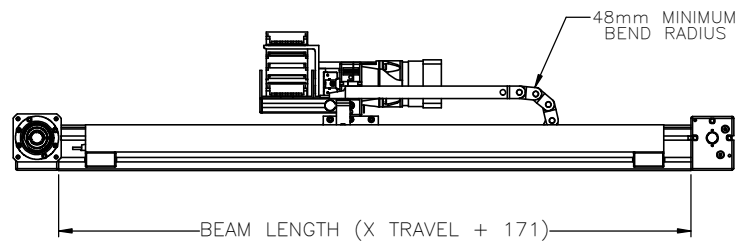
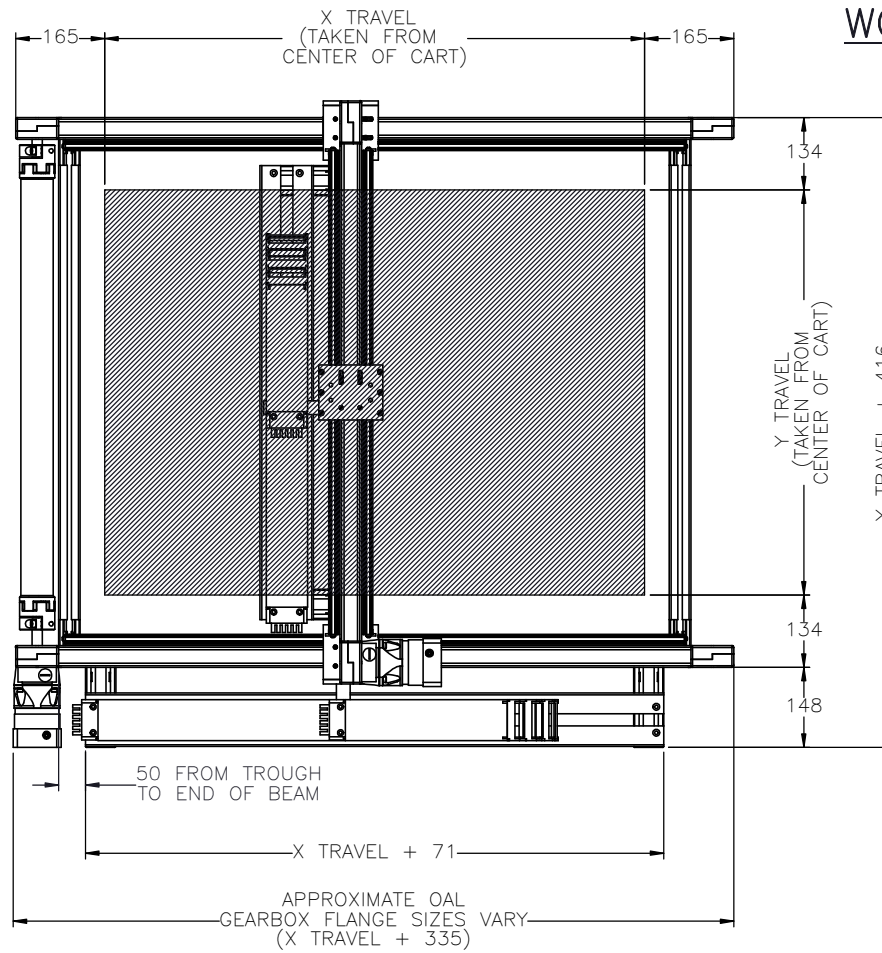
PO:REFERENCE#: _____

Sold & Served By:

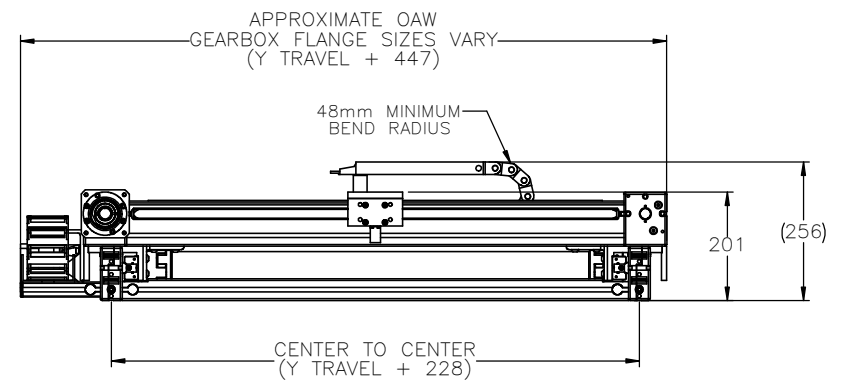
ELECTROMATE
 Toll Free Phone (877) SERV098
 www.electromate.com
 sales@electromate.com

 MACRON DYNAMICS INC	DRAWN BY: PHW CHECKED BY: --- LAST SAVED BY: Tim	DATE: 11/26/2017 DATE: DD/MM/YYYY DATE: 10/12/2020	MATERIAL: FINISH:	TITLE: MACRON R6S XY GANTRY
	UNLESS OTHERWISE SPECIFIED, DIMENSIONS ARE IN MILLIMETERS. TOLERANCES UNLESS NOTED OTHERWISE: .X ± .762 .XX ± .254 .XXX ± .127 ANG ± 0°30'		SURFACE FINISH: <input checked="" type="checkbox"/> BREAK ALL SHARP EDGES DIMENSIONAL LIMITS APPLY AFTER FINISHING THIRD ANGLE PROJECTION	SCALE: 1:1 SHEET SIZE: C
THIS DRAWING IS THE PROPERTY OF MACRON DYNAMICS. ANY REPRODUCTIONS SHALL BE FOR QUOTATION, MANUFACTURING OR PURCHASING PURPOSES ONLY. RELEASE OF DRAWINGS TO OTHER CONCERNS DOES NOT CONSTITUTE LICENSING IN ANY WAY. INFORMATION CONTAINED HEREIN IS PROPRIETARY AND CONFIDENTIAL.		SHEET: 1 OF 6 PART NUMBER: MGS-R6S-XY	REV: C	


WORK ENVELOPE AND GANTRY FOOTPRINT



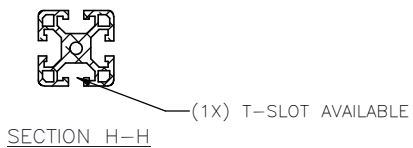
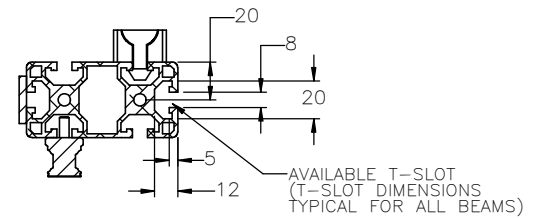
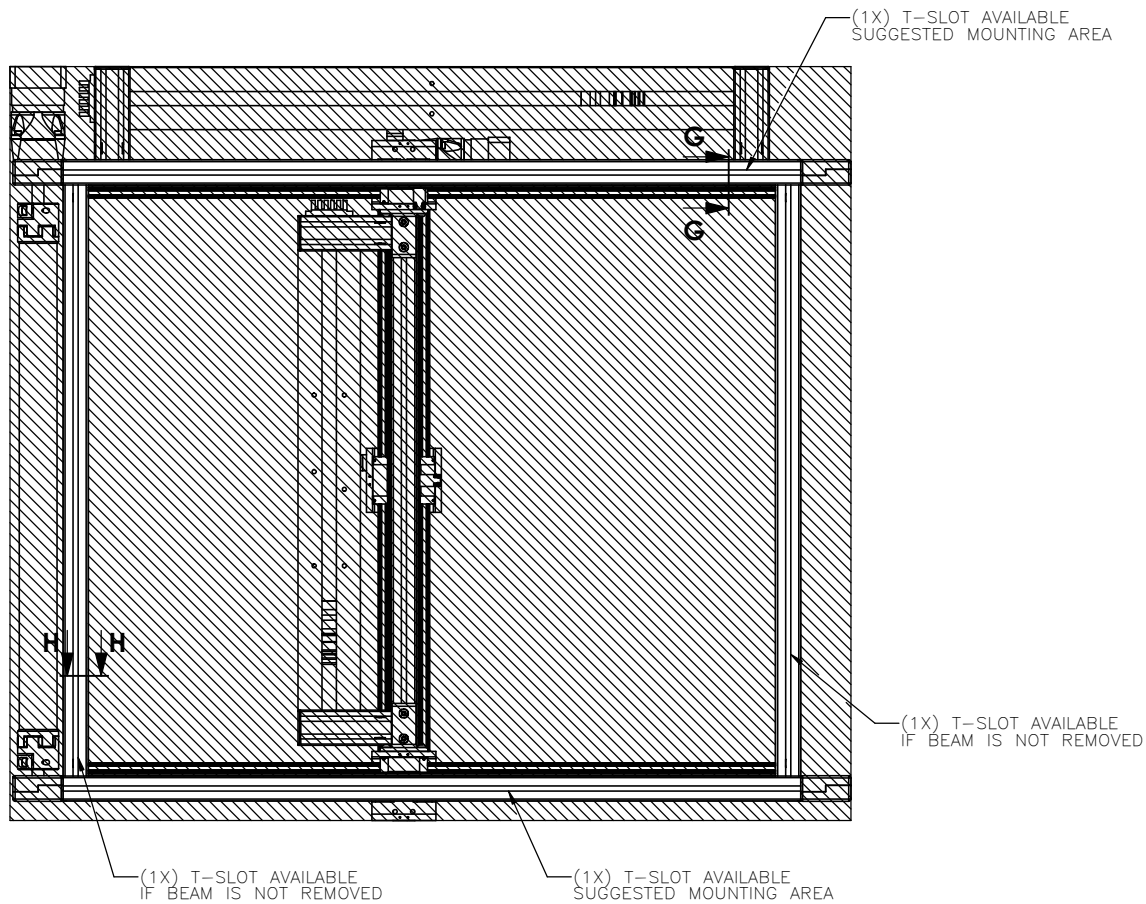
CABLE TRACK CROSS SECTION



Sold & Serviced By:
 **ELECTROMATE**
 Toll Free Phone (877) SERV098
www.electromate.com
sales@electromate.com

 MACRON DYNAMICS INC	DRAWN BY: PHW CHECKED BY: --- LAST SAVED BY: Tim	DATE: 11/26/2017 DATE: DD/MM/YYYY DATE: 10/12/2020	MATERIAL: FINISH:	TITLE: MACRON R6S XY GANTRY
	UNLESS OTHERWISE SPECIFIED, DIMENSIONS ARE IN INCHES. TOLERANCES UNLESS NOTED OTHERWISE:		.XX ± .010 .XXX ± .005 ANG. ± 0°30'	SCALE: 1:1 SHEET SIZE: C
	SURFACE FINISH: 63 BREAK ALL SHARP EDGES DIMENSIONAL LIMITS APPLY AFTER FINISHING THIRD ANGLE PROJECTION		SHEET: 2 OF 6 PART NUMBER: MGS-R6S-XY	REV:
	THIS DRAWING IS THE PROPERTY OF MACRON DYNAMICS. ANY REPRODUCTIONS SHALL BE FOR QUOTATION, MANUFACTURING, OR PURCHASING PURPOSES ONLY. RELEASE OF DRAWINGS TO OTHER CONCERNS DOES NOT CONSTITUTE LICENSING IN ANY WAY. INFORMATION CONTAINED HEREIN IS PROPRIETARY AND CONFIDENTIAL.			

GANTRY MOUNTING FEATURES



BOTTOM VIEW

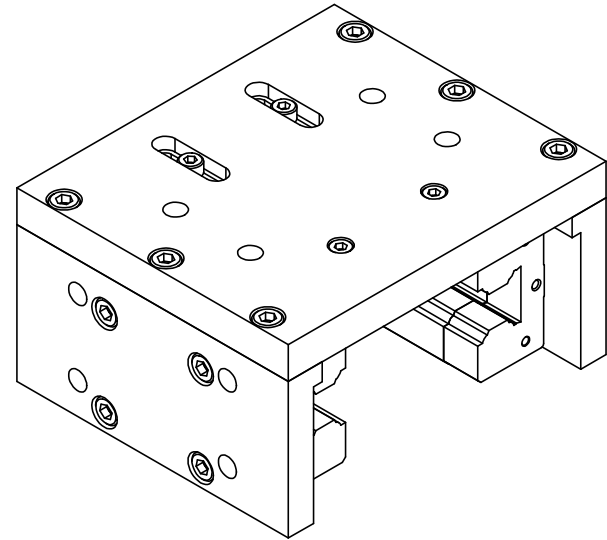
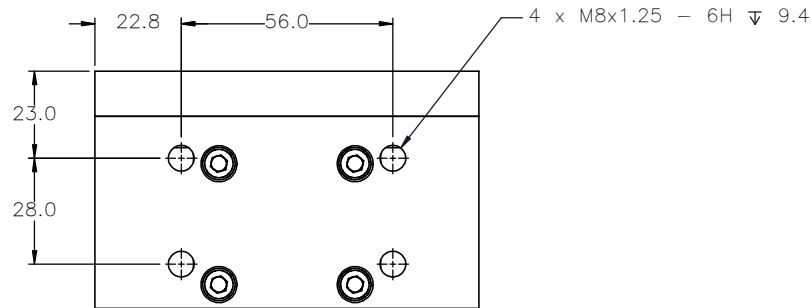
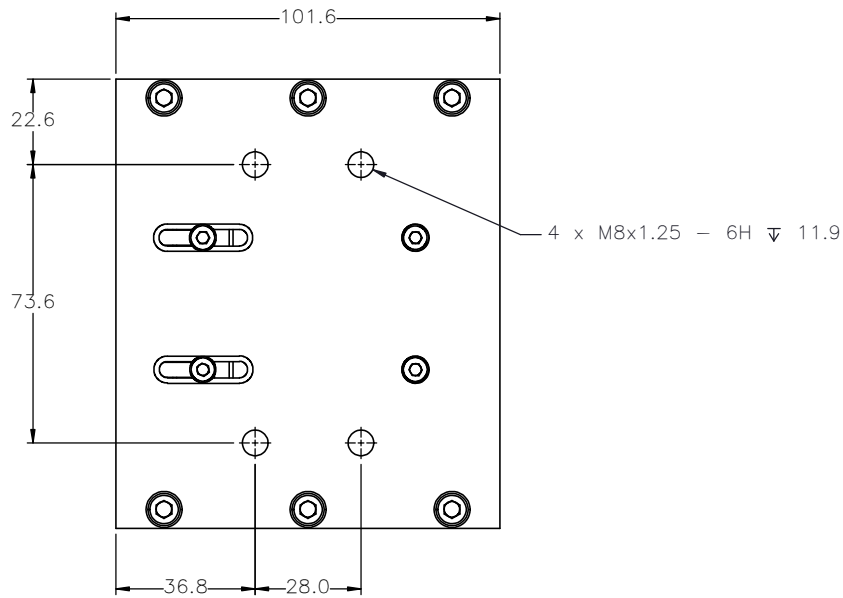
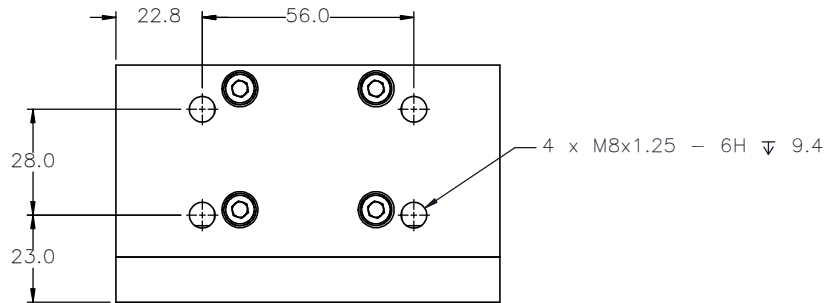
Sold & Serviced By:




Toll Free Phone (877) SERV098
www.electromate.com
sales@electromate.com

 MACRON DYNAMICS INC	DRAWN BY: PHW DATE: 11/26/2017	MATERIAL:	TITLE:
	CHECKED BY: --- DATE: DD/MM/YYYY	FINISH:	MACRON R6S XY GANTRY
	LAST SAVED BY: Tim DATE: 10/12/2020		
UNLESS OTHERWISE SPECIFIED, DIMENSIONS ARE IN INCHES. TOLERANCES UNLESS NOTED OTHERWISE:			
.X ± .762 .XX ± .254 .XXX ± .127 ANG ± 0°30'			
SURFACE FINISH 63			
BREAK ALL SHARP EDGES DIMENSIONAL LIMITS APPLY AFTER FINISHING THIRD ANGLE PROJECTION		SHEET PART NUMBER	SCALE SHEET SIZE C
		3 OF 6	MGS-R6S-XY

CART MOUNTING FEATURES



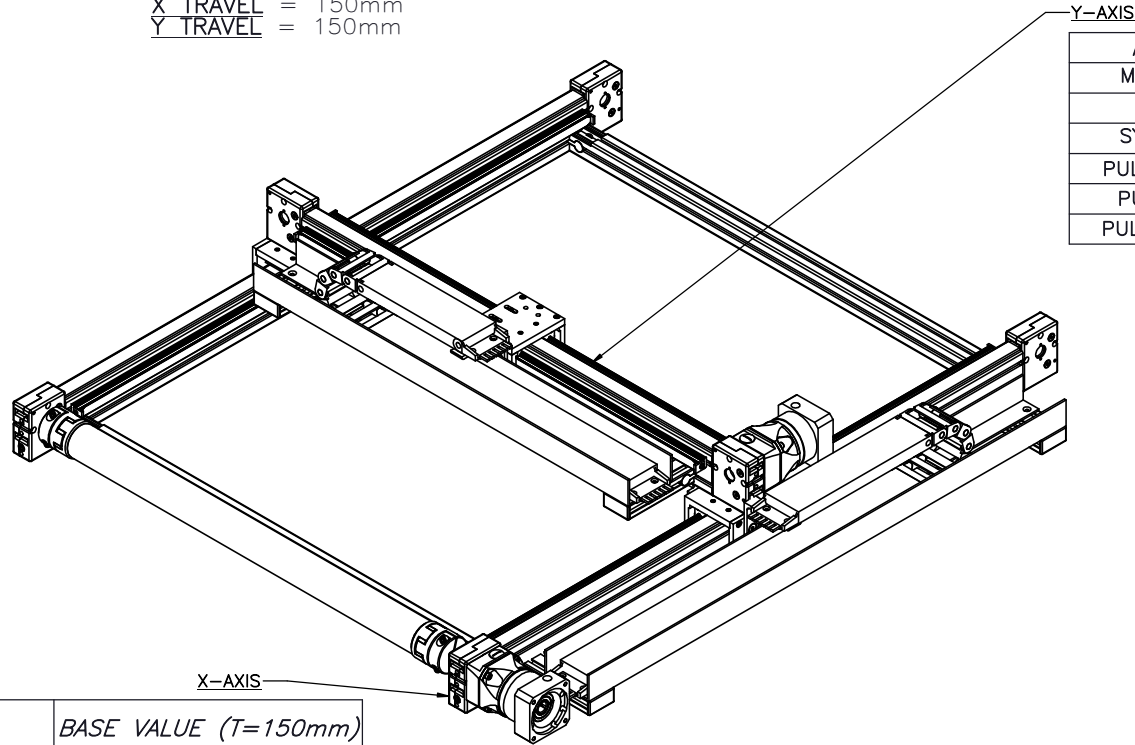
Sold & Serviced By:
 **ELECTROMATE**
 Toll Free Phone (877) SERV098
www.electromate.com
sales@electromate.com

 MACRON DYNAMICS INC	DRAWN BY: PHW DATE: 11/26/2017	MATERIAL:	TITLE: R6D CART ASSEMBLY	
	CHECKED BY: -- DATE: DD/MM/YYYY	FINISH:		
	LAST SAVED BY: Tim DATE: 10/12/2020	UNLESS OTHERWISE SPECIFIED: DIMENSIONS ARE IN INCHES: .XX ± .254 TOLERANCES UNLESS NOTED: .XXX ± .127 OTHERWISE: ANG ± 0°30'	SCALE: 1:1	SHEET SIZE: C
	THIS DRAWING IS THE PROPERTY OF MACRON DYNAMICS. ANY REPRODUCTIONS SHALL BE FOR QUOTATION, MANUFACTURING OR PURCHASING PURPOSES ONLY. RELEASE OF DRAWINGS TO OTHER CONCERNS DOES NOT CONSTITUTE LICENSING IN ANY WAY. INFORMATION CONTAINED HEREIN IS PROPRIETARY AND CONFIDENTIAL.	SURFACE FINISH: 63 BREAK ALL SHARP EDGES DIMENSIONAL LIMITS APPLY AFTER FINISHING THIRD ANGLE PROJECTION	SHEET: 4 OF 6 PART NUMBER: CSA-R6D	REV

MOTOR SIZING WORKSHEET

(INCREMENTAL ADDERS REFER TO MASS PER TRAVEL LENGTH)

BASE TRAVELS USED:
 X TRAVEL = 150mm
 Y TRAVEL = 150mm



PROPERTY	BASE VALUE (T=150mm)
MOVING MASS	1.702kg(+0.022kg/25mm)
BELT MASS	0.109(+0.006kg/25mm)
SYSTEM MASS	6.031kg(+0.156kg/25mm)
PULLEY PITCH ϕ	47.75mm (1.88")
PULLEY WIDTH	28.9mm (1.14")
PULLEY MATERIAL	STEEL


PROPERTY	BASE VALUE (T=150mm)
**MOVING MASS	2.861(+0.028kg/25mm)
BELT MASS	0.218(0.012kg/25mm)
PULLEY PITCH ϕ	47.75mm (1.88")
PULLEY WIDTH	28.9mm (1.14")
PULLEY MATERIAL	STEEL
***TORQUE TUBE LENGTH	299mm
TORQUE TUBE ϕ	60mm
***TORQUE TUBE MASS	1.311(+0.036kg/25mm)
TORQUE TUBE MATERIAL	ANODIZED ALUMINUM ELASTOMER STYLE COUPLINGS WITH HUB
TRAVEL PER REV	150mm

**SYSTEM MASS OF Y-AXIS NEEDS TO BE ADDED TO THIS
 ***BASE VALUE AT Y TRAVEL = 150mm

X TRAVEL = _____ mm
 Y TRAVEL = _____ mm

NOTE: ALL SUPPLIED MASSES DO NOT INCLUDE
 CUSTOMER COMPONENTS (MOTORS, CABLES, ETC)

GEARBOX MASS (ADD TO SYSTEM MASSES)	MPG-064	1.0kg
	MPG-084	2.3kg
	MRG-064	3.0kg
	MRG-084	5.6kg

TOTAL SYSTEM MASS	$(X \text{ TRAVEL} \times .0085) + (Y \text{ TRAVEL} \times .0093) + 15.26 = \text{kg}$		
 MACRON DYNAMICS INC	DRAWN BY: PHW CHECKED BY: -- LAST SAVED BY: JA	DATE: 11/26/2017 DATE: DD/MM/YYYY DATE: 10/12/2020	MATERIAL: FINISH: UNLESS OTHERWISE SPECIFIED: DIMENSIONS ARE IN MILLIMETER TOLERANCES UNLESS NOTED OTHERWISE:
	.X \pm .762 .XX \pm .254 .XXX \pm .127 ANG \pm 0°30'	TITLE: MACRON R6S XY GANTRY	SCALE: 1:1 SHEET SIZE: C
THIS DRAWING IS THE PROPERTY OF MACRON DYNAMICS ANY REPRODUCTIONS SHALL BE FOR QUOTATION, MANUFACTURING OR PURCHASING PURPOSES ONLY. RELEASE OF DRAWINGS TO OTHER CONCERNS DOES NOT CONSTITUTE LICENSING IN ANY WAY. INFORMATION CONTAINED HEREIN IS PROPRIETARY AND CONFIDENTIAL.	SURFACE FINISH <input checked="" type="checkbox"/>	BREAK ALL SHARP EDGES DIMENSIONAL LIMITS APPLY AFTER FINISHING THIRD ANGLE PROJECTION	SHEET: 5 OF 6 PART NUMBER: MGS-R6S-XY REV:

Sold & Serviced By:

 Toll Free Phone (877) SERV098
 www.electromate.com
 sales@electromate.com

SPECIFICATIONS

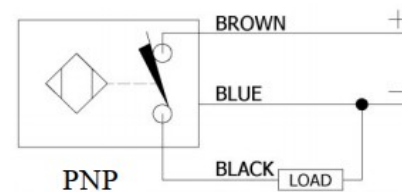
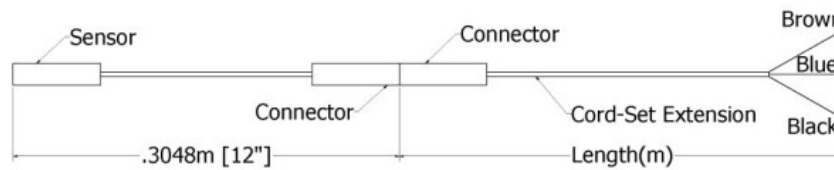
Sensor Type	Inductive
Sensor Size	Fits all 8mm wide T-Slots
Operating Voltage	10-30 VDC
Voltage Drop Across Conducting Sensor	≤1.8 V at 100 mA
Number of Conductors (AWG)	3x26 AWG
Temperature Range	-40°C to 105°C

Part Number Configuration
244- - - - -

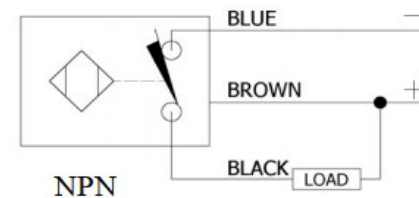
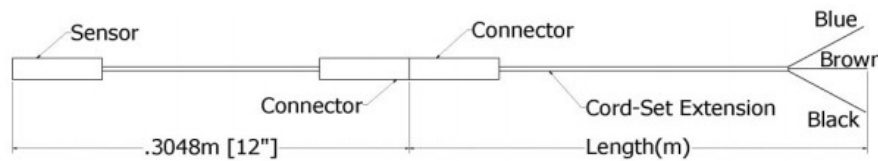
PNP or NPN	NC or NO	02	Meters
PNP or NPN	NC or NO	06	Meters
PNP or NPN	NC or NO	12	Meters

Example: PNP, normally closed, cord-set extension length 6 meters = 244-PNP-NC-06

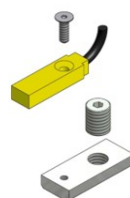
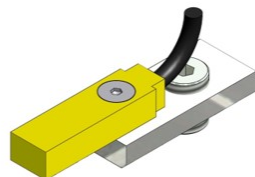
PNP Diagrams



NPN Diagrams



KIT INCLUDES – SENSOR, CORDSET EXTENSION, AND MOUNTING HARDWARE



	DRAWN BY: PHW DATE: 11/26/2017 MATERIAL:	TITLE: T-SLOT SENSOR KIT
	CHECKED BY: -- DATE: DD/MM/YYYY	
	LAST SAVED BY: Paul DATE: 10/12/2020	
	FINISH:	
UNLESS OTHERWISE SPECIFIED, DIMENSIONS ARE IN MILLIMETERS. TOLERANCES UNLESS NOTED OTHERWISE:	.X ± .762 .XX ± .254 .XXX ± .127 ANG ± 0°30'	SCALE: 1:1 SHEET SIZE: C
THIS DRAWING IS THE PROPERTY OF MACRON DYNAMICS. ANY REPRODUCTIONS SHALL BE FOR QUOTATION, MANUFACTURING, OR PURCHASING PURPOSES ONLY. RELEASE OF DRAWINGS TO OTHER CONCERNS DOES NOT CONSTITUTE LICENSING IN ANY WAY. INFORMATION CONTAINED HEREIN IS PROPRIETARY AND CONFIDENTIAL.	SURFACE FINISH: <input checked="" type="checkbox"/> BREAK ALL SHARP EDGES DIMENSIONAL LIMITS APPLY AFTER FINISHING THIRD ANGLE PROJECTION	SHEET: 6 OF 6 PART NUMBER: MGS-R6S-XY