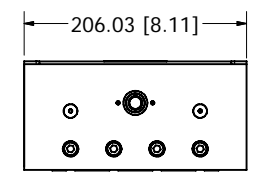
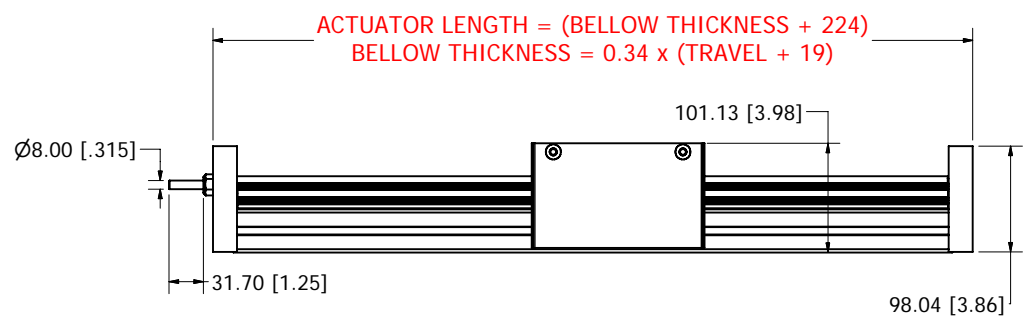
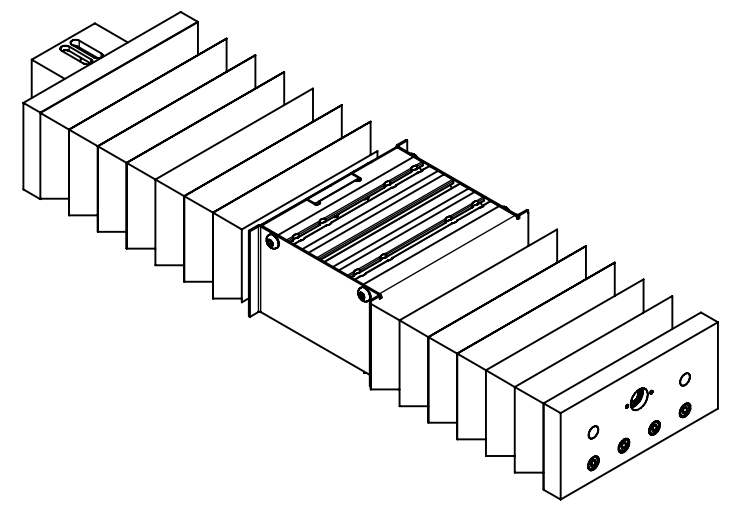
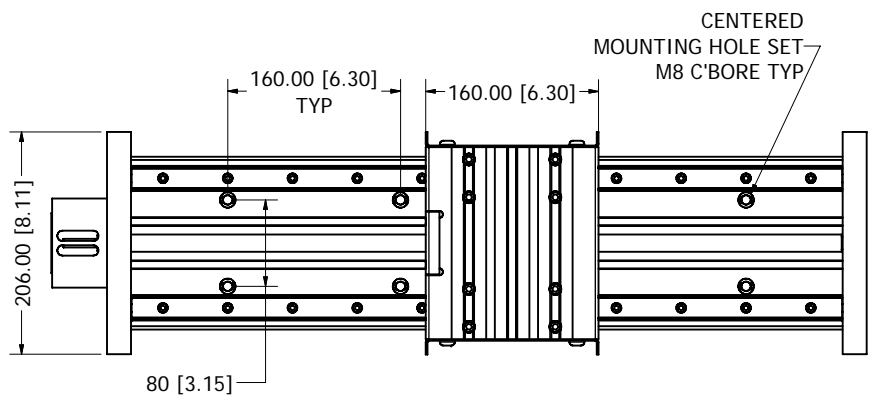


MSA - DRT - B - 00 - -

STOCK TRAVEL	ACTUATOR LENGTH	TRAVEL	MOUNTING HOLE SETS
	00384	160	2
	00544	320	3
	00704	480	4
	00864	640	5
	CUSTOM TRAVEL		

ENTER
ACTUATOR LENGTH [mm]
SPECIFY PITCH TYPE
02 = 5/8in x .200 SCREW
05 = 5/8in x .500 SCREW
10 = 5/8in x 1.00 SCREW



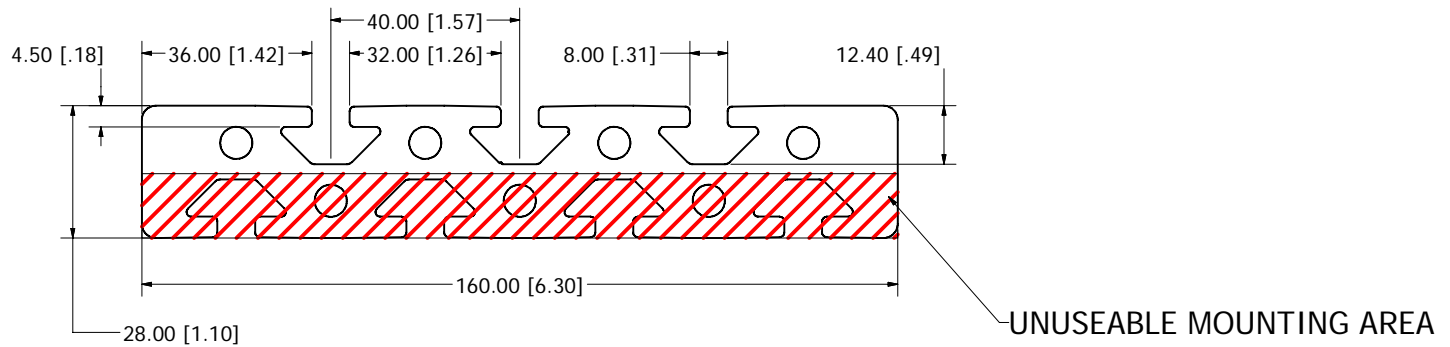
APPROVED: _____
DATE: _____

Sold & Serviced By:
ELECTROMATE
Toll Free Phone (877) SERV098
Toll Free Fax (877) SERV099
www.electromate.com
sales@electromate.com

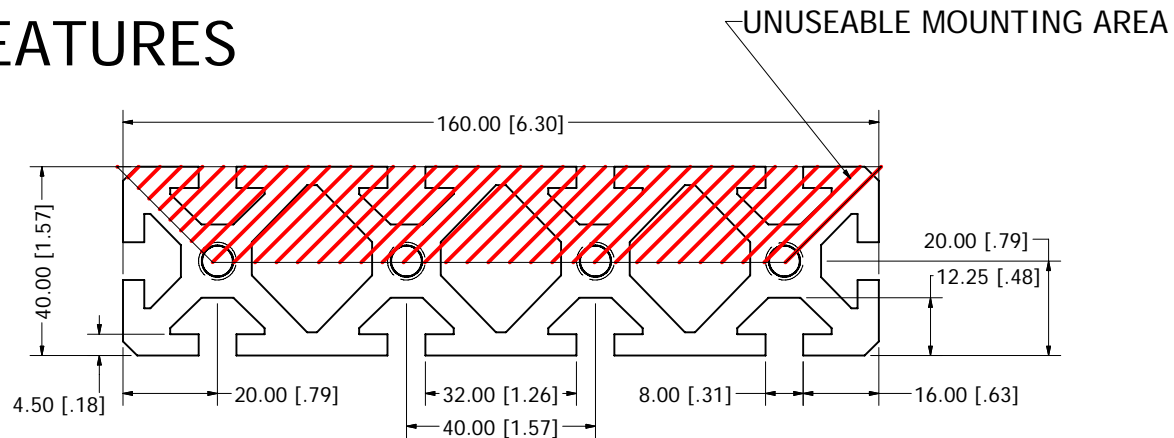
MATERIAL:
FINISH:

 3RD ANGLE PROJECTION STD. RAW STOCK COMER'L. TOL. APPLY BREAK ALL SHARP EDGES DIMENSIONAL LIMITS APPLY AFTER FINISH MACHINED ^Ø TYP ALL SURFACES UNLESS OTHERWISE SPECIFIED ALL DIMENSIONS IN MILLIMETERS ALL DIMENSIONS IN [] ARE IN INCHES -TOLERANCES UNLESS SPECIFIED- ANGULAR 0°-30° FRACTIONAL ± 0.40 [1/64] DECIMAL 1 PLC ± 0.3 [0.01] DECIMAL 2 PLC ± 0.13 [0.005]	 MACRON DYNAMICS INC	THIS DRAWING IS THE PROPERTY OF MACRON DYNAMICS. ANY REPRODUCTIONS SHALL BE FOR QUOTATION, MANUFACTURING, OR PURCHASING PURPOSES ONLY. RELEASE OF DRAWINGS TO OTHER CONCERNS DOES NOT CONSTITUTE LICENSING IN ANY WAY. INFORMATION CONTAINED HEREIN IS PROPRIETARY AND CONFIDENTIAL.	
		TITLE MACRON DUAL RAIL W/ BELLOWS	
DRAWN AB	DATE 4/1/2008	DWG. NO. MSA-DRT-B	REV
CHECKED LTM	APPROVED TC	DO NOT SCALE DRAWING	

CART TOP MOUNTING FEATURES




SCREW TABLE BASE MOUNTING FEATURES



Sold & Serviced By:
 **ELECTROMATE**
 Toll Free Phone (877) SERV098
 Toll Free Fax (877) SERV099
www.electromate.com
sales@electromate.com

3RD ANGLE PROJECTION
 STD. RAW STOCK COMERL. TOL. APPLY
 BREAK ALL SHARP EDGES
 DIMENSIONAL LIMITS APPLY AFTER FINISH
 MACHINED ^ØTYP ALL SURFACES
 UNLESS OTHERWISE SPECIFIED ALL
 DIMENSIONS IN MILLIMETERS
 ALL DIMENSIONS IN [] ARE IN INCHES
 -TOLERANCES UNLESS SPECIFIED-
 ANGULAR 0°-30°
 FRACTIONAL ± 0.40 [1/64]
 DECIMAL 1 PLC ± 0.3 [0.01]
 DECIMAL 2 PLC ± 0.13 [0.005]


MACRON DYNAMICS INC

DRAWN	DATE
AB	4/1/2008
CHECKED	APPROVED
LTM	TC

THIS DRAWING IS THE PROPERTY OF MACRON DYNAMICS.
 ANY REPRODUCTIONS SHALL BE FOR QUOTATION,
 MANUFACTURING, OR PURCHASING PURPOSES ONLY.
 RELEASE OF DRAWINGS TO OTHER CONCERNS DOES NOT
 CONSTITUTE LICENSING IN ANY WAY. INFORMATION
 CONTAINED HEREIN IS PROPRIETARY AND CONFIDENTIAL.

TITLE
**MACRON DUAL RAIL W/
 BELLOWS**

DWG. NO. MSA-DRT-B	REV
DO NOT SCALE DRAWING	SHEET 2 OF 9

MATERIAL:
 FINISH: