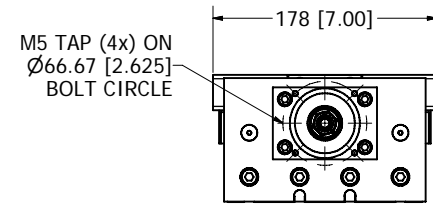
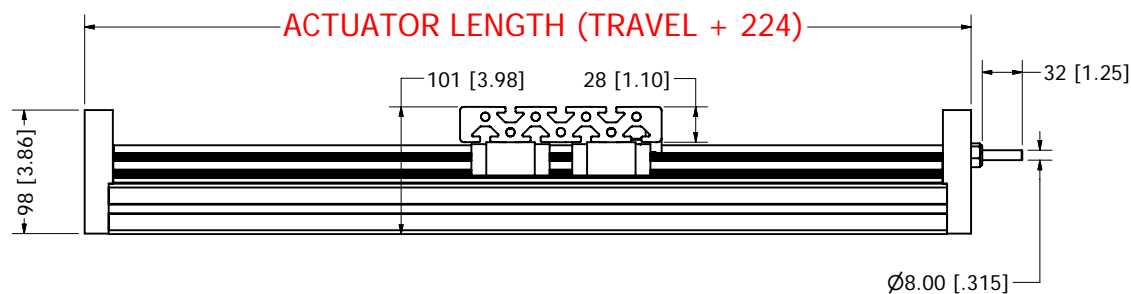
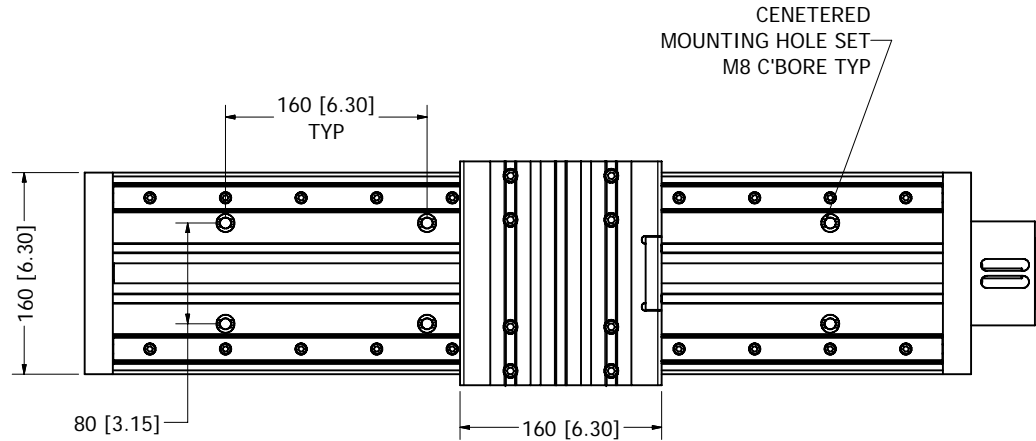
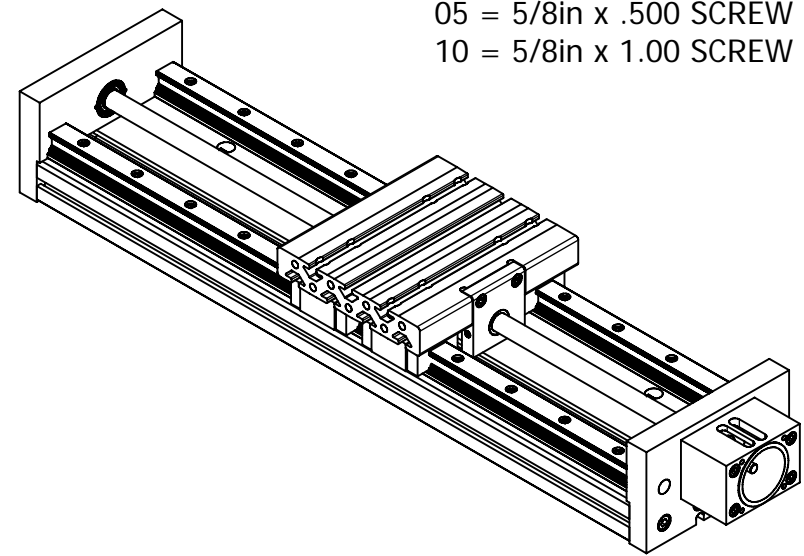


MSA - DRT - N - 00 - -

STOCK TRAVEL	ACTUATOR LENGTH	TRAVEL	MOUNTING HOLE SETS
	00384	160	2
	00544	320	3
	00704	480	4
	00864	640	5
	CUSTOM TRAVEL		


ENTER
ACTUATOR LENGTH [mm]
SPECIFY PITCH TYPE
02 = 5/8in x .200 SCREW
05 = 5/8in x .500 SCREW
10 = 5/8in x 1.00 SCREW



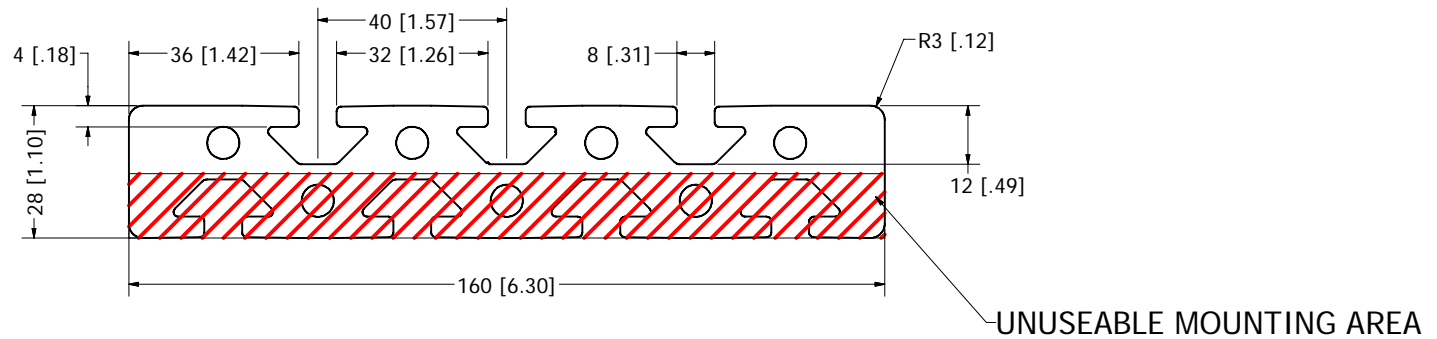
Sold & Serviced By:
 **ELECTROMATE**
 Toll Free Phone (877) SERV098
 Toll Free Fax (877) SERV099
www.electromate.com
sales@electromate.com

APPROVED: _____
 DATE: _____

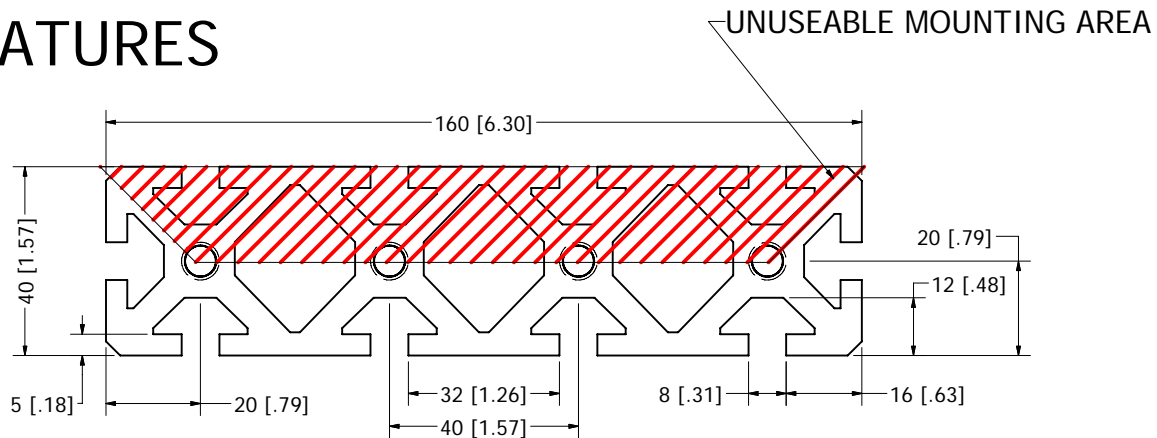
MATERIAL:
 FINISH:

3RD ANGLE PROJECTION STD. RAW STOCK COMERL. TOL. APPLY BREAK ALL SHARP EDGES DIMENSIONAL LIMITS APPLY AFTER FINISH MACHINED TYP ALL SURFACES UNLESS OTHERWISE SPECIFIED ALL DIMENSIONS IN MILLIMETERS ALL DIMENSIONS IN [] ARE IN INCHES -TOLERANCES UNLESS SPECIFIED- ANGULAR 0°-30° FRACTIONAL ± 0.40 [1/64] DECIMAL 1 PLC ± 0.3 [0.01] DECIMAL 2 PLC ± 0.13 [0.005]	 MACRON DYNAMICS INC		THIS DRAWING IS THE PROPERTY OF MACRON DYNAMICS. ANY REPRODUCTIONS SHALL BE FOR QUOTATION, MANUFACTURING, OR PURCHASING PURPOSES ONLY. RELEASE OF DRAWINGS TO OTHER CONCERNS DOES NOT CONSTITUTE LICENSING IN ANY WAY. INFORMATION CONTAINED HEREIN IS PROPRIETARY AND CONFIDENTIAL.	
			TITLE MACRON DUAL RAIL SCREW TABLE	
DRAWN AB	DATE 4/1/2008	DWG. NO. MSA-DRT	REV	SHEET 1 OF 9
CHECKED LTM	APPROVED TC	DO NOT SCALE DRAWING		

CART TOP MOUNTING FEATURES



SCREW TABLE BASE MOUNTING FEATURES



Sold & Serviced By:

 **ELECTROMATE**


Toll Free Phone (877) SERV098
 Toll Free Fax (877) SERV099
www.electromate.com
sales@electromate.com

3RD ANGLE PROJECTION

STD. RAW STOCK COMERL. TOL. APPLY
 BREAK ALL SHARP EDGES
 DIMENSIONAL LIMITS APPLY AFTER FINISH
 MACHINED ^ØTYP ALL SURFACES

UNLESS OTHERWISE SPECIFIED ALL
 DIMENSIONS IN MILLIMETERS
 ALL DIMENSIONS IN [] ARE IN INCHES

-TOLERANCES UNLESS SPECIFIED-
 ANGULAR 0°-30°
 FRACTIONAL ± 0.40 [1/64]
 DECIMAL 1 PLC ± 0.3 [0.01]
 DECIMAL 2 PLC ± 0.13 [0.005]


MACRON DYNAMICS INC

DRAWN	DATE
AB	4/1/2008
CHECKED	APPROVED
LTM	TC

THIS DRAWING IS THE PROPERTY OF MACRON DYNAMICS.
 ANY REPRODUCTIONS SHALL BE FOR QUOTATION,
 MANUFACTURING, OR PURCHASING PURPOSES ONLY.
 RELEASE OF DRAWINGS TO OTHER CONCERNS DOES NOT
 CONSTITUTE LICENSING IN ANY WAY. INFORMATION
 CONTAINED HEREIN IS PROPRIETARY AND CONFIDENTIAL.

TITLE
**MACRON DUAL RAIL SCREW
 TABLE**

DWG. NO. MSA-DRT	REV
DO NOT SCALE DRAWING	SHEET 2 OF 9

MATERIAL:
 FINISH: