

# MSA - SB2 - E - BC - -

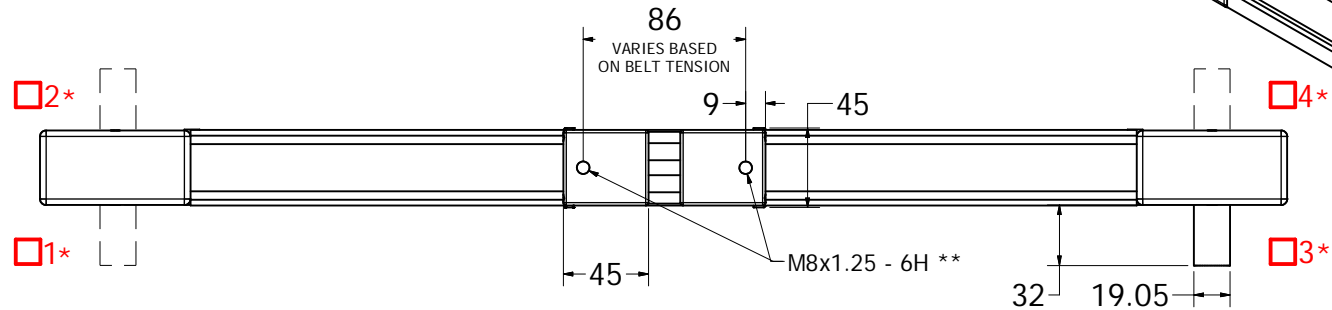
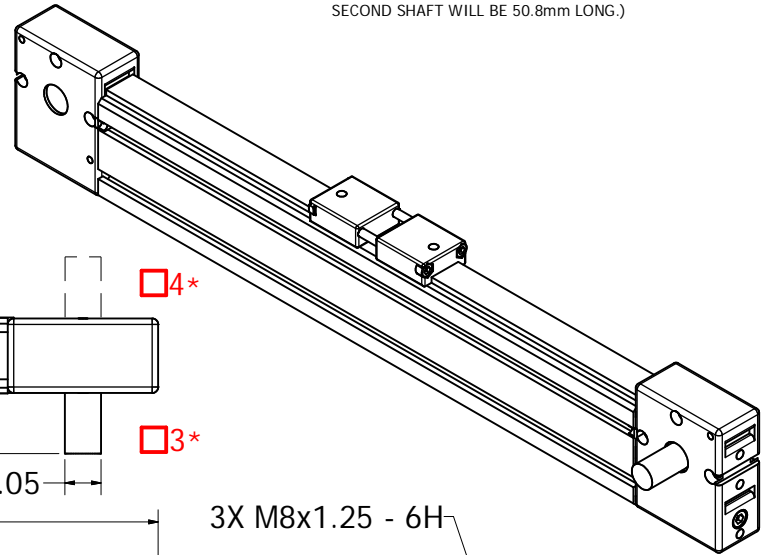
STOCK TRAVEL	OVERALL LENGTH	TRAVEL
	00500	184
	00750	434
	01000	684
	01250	934
	01500	1184
	01750	1434
	02000	1684
	02250	1934
	<b>CUSTOM TRAVEL</b>	

**ENTER**  
OVERALL LENGTH [mm]

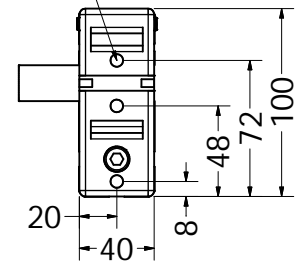
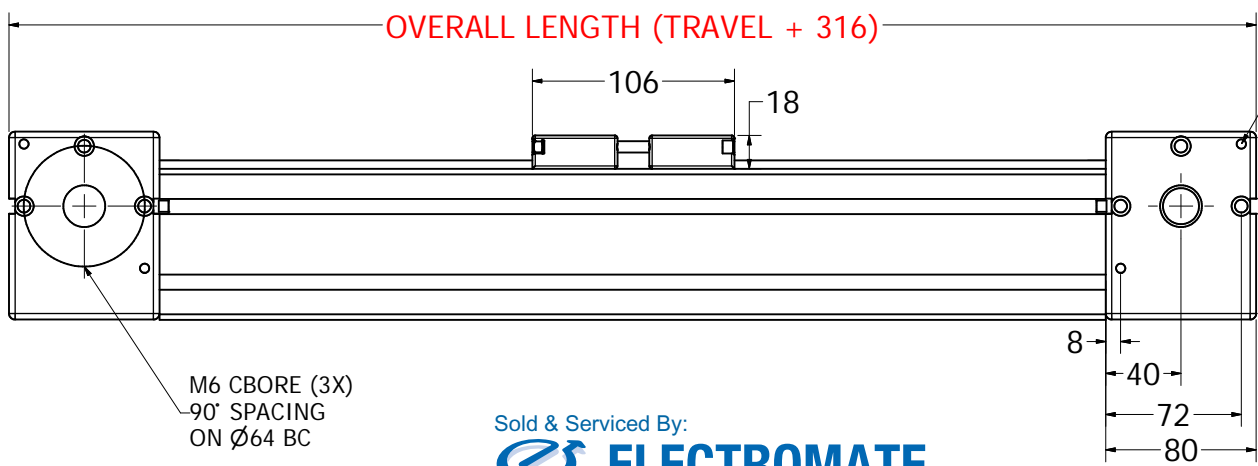
**SELECT**  
DRIVE SHAFT LOCATION \*

**SPECIFY TYPE**  
A = SINGLE SHAFTED  
B = DOUBLE SHAFTED

**NOTE:** (IF "B" IS USED THE NUMBER WILL DESIGNATE POSITION OF SHORT SHAFT, SECOND SHAFT WILL BE 50.8mm LONG.)



OVERALL LENGTH (TRAVEL + 316)



Sold & Serviced By:  
**ELECTROMATE**

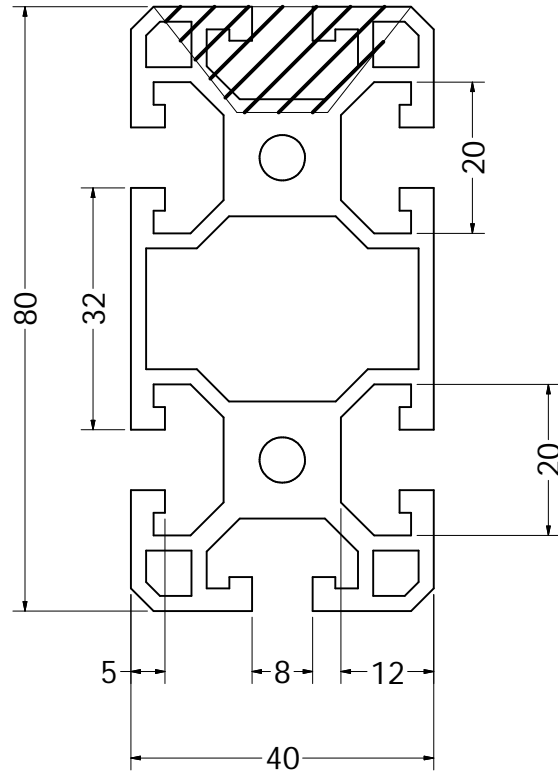
Toll Free Phone (877) SERV098  
Toll Free Fax (877) SERV099  
[www.electromate.com](http://www.electromate.com)  
[sales@electromate.com](mailto:sales@electromate.com)

**\*\*NOTE:** FOR INTERFACE MTG PLATES, SLOT HOLE ON IDLER SIDE TO ALLOW FOR BELT TENSIONING

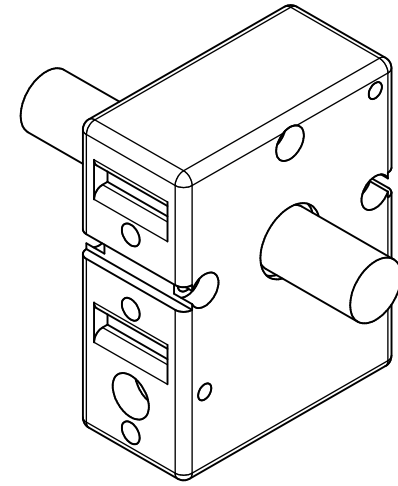
<p>3RD ANGLE PROJECTION</p>	<p>MACRON DYNAMICS, INC.</p>
<p>COMPUTER GENERATED DOCUMENT. MANUAL CHANGES NOT PERMITTED</p>	<p>TITLE MACRON SINGLE BELT DRIVE 25</p>
<p>UNLESS OTHERWISE SPECIFIED ALL DIMENSIONS IN MILLIMETERS</p>	<p>DWG. NO. MSA-SB2</p>
	<p>REV 02</p>

APPROVED: \_\_\_\_\_  
DATE: \_\_\_\_\_

ACTUATOR BODY  
MOUNTING FEATURES  
T-NUT SLOTS

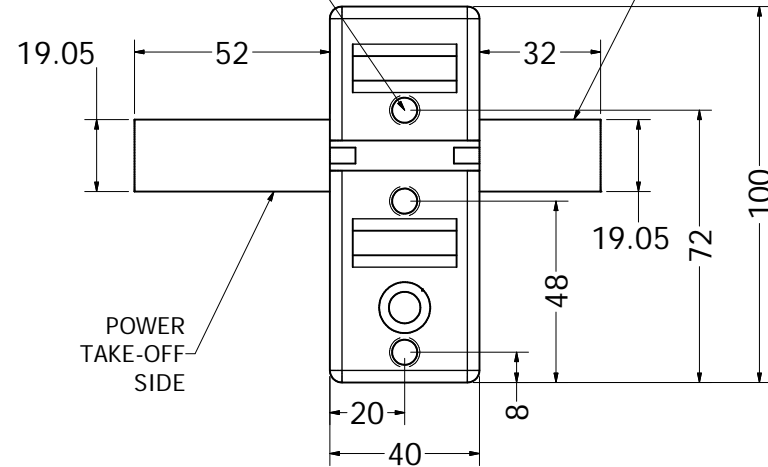


DOUBLE SHAFTED  
PULLEY



3X M8x1.25 - 6H

MOTOR  
MOUNTING  
SIDE



Sold & Serviced By:



Toll Free Phone (877) SERV098  
Toll Free Fax (877) SERV099  
[www.electromate.com](http://www.electromate.com)  
[sales@electromate.com](mailto:sales@electromate.com)

<p>3RD ANGLE PROJECTION</p>	<p><b>MACRON DYNAMICS, INC.</b></p>
<p>THIS DRAWING IS THE PROPERTY OF MACRON DYNAMICS INC. ANY REPRODUCTIONS SHALL BE FOR QUOTATION, MANUFACTURING, OR PURCHASING PURPOSES ONLY. RELEASE OF DRAWINGS TO OTHER CONCERNS DOES NOT CONSTITUTE LICENSING IN ANY WAY. INFORMATION CONTAINED HEREIN IS PROPRIETARY AND CONFIDENTIAL.</p>	<p>TITLE <b>MACRON SINGLE BELT DRIVE 25</b></p>
<p>COMPUTER GENERATED DOCUMENT. MANUAL CHANGES NOT PERMITTED</p>	<p>DWG. NO. <b>MSA-SB2</b></p>
<p>UNLESS OTHERWISE SPECIFIED ALL DIMENSIONS IN MILLIMETERS</p>	<p>REV <b>02</b></p>
<p>DO NOT SCALE DRAWING   SHEET 2 OF 6</p>	