

MACRON 14 Z-AXIS LINEAR ACTUATOR

Features

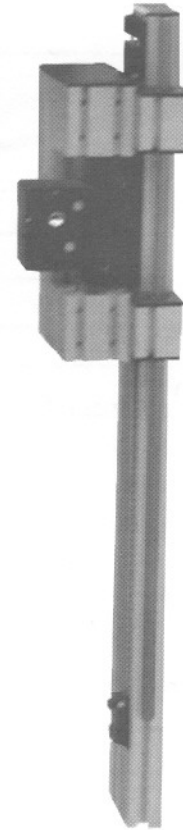
- Macron actuators are furnished to your specifications
- Available in any length up to 6 meters (20 ft.)
- Fast turnaround on all standard units

Optional

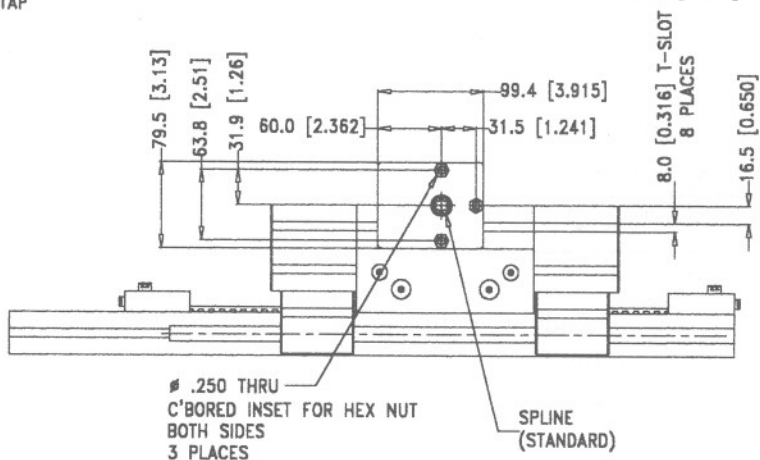
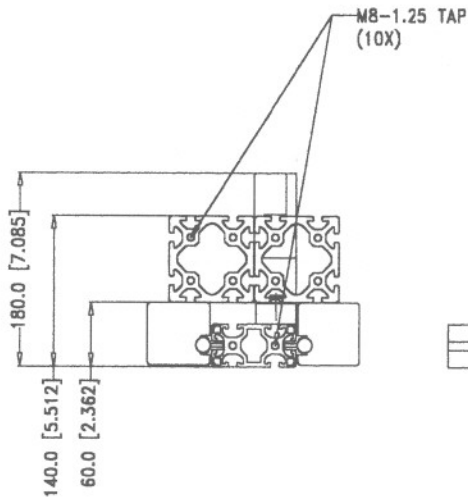
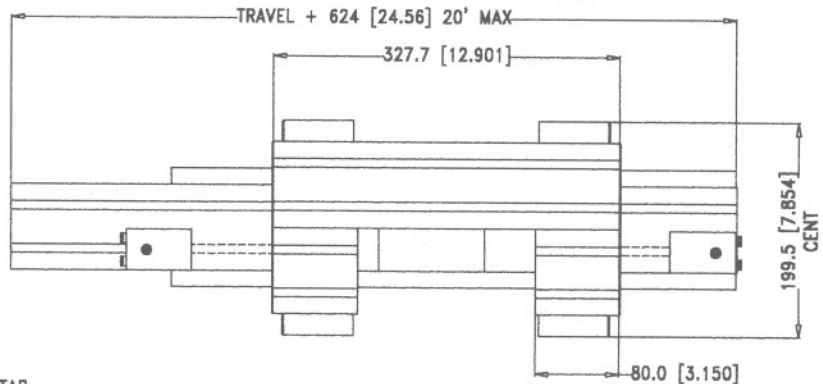
- Dual belt system
- Sensors

Motor Mounting (See Page 22)

- Motor Mount Adapter
- NEMA 23, 34 & 42 (standard)
48, 56 & non-NEMA sizes (optional)
- Spline Adapter
- Shafted Pulley



Sold & Serviced By:
 **ELECTROMATE**
 Toll Free Phone (877) SERV098
 Toll Free Fax (877) SERV099
 www.electromate.com
 sales@electromate.com



Ø .250 THRU
 C'BORED INSET FOR HEX NUT
 BOTH SIDES
 3 PLACES

SPLINE
 (STANDARD)

MACRON 14-Z AXIS LINEAR ACTUATOR - dimensional data

MACRON 14 Z-AXIS LINEAR ACTUATOR

TECHNICAL DATA

Specifications:

Repeatability		+/- 0.001 in
Linear Accuracy		+/- 0.005 in per 36 in
Breakaway Torque		42-44 oz-in
Belt Tensile Limit		1750 lbs
Belt Running Load		0 - 500 lbs
Travel/Revolution		150 mm/rev (5.906) in/rev)
Pulley Diameter		47.5 mm (1.88 in)
Pulley Weight (each)		9.5 oz
Maximum Speed		400 in/sec
Acceleration Exceeding		9 G's
Motor Mount/Coupling		NEMA 23, 34 & 42 (standard), 48, 56 & non-NEMA sizes (optional)

Sold & Serviced By:
 **ELECTROMATE**
 Toll Free Phone (877) SERV098
 Toll Free Fax (877) SERV099
www.electromate.com
sales@electromate.com

Shipping Weight

First meter of travel		32 lbs
Additional per meter		15 lbs

Load Capacities

Dynamic Horizontal		To Customer Specifications
Static Horizontal		To Customer Specifications

Inertia Calculation

~ W values of actuators	weight	inertia
~ weight of vertical beam 40 X 80	19 lbs	8.238 lbs - in ²
~ weight of belt/meter of travel	.469 lbs	TBD* lbs - in ²
~ weight of pulley	.594 lbs	TDB* - in ²

*Application Specific

For Multi-Axis Units and other specifications not listed, contact your local Distributor or Macron for Engineering Design assistance and quotations.