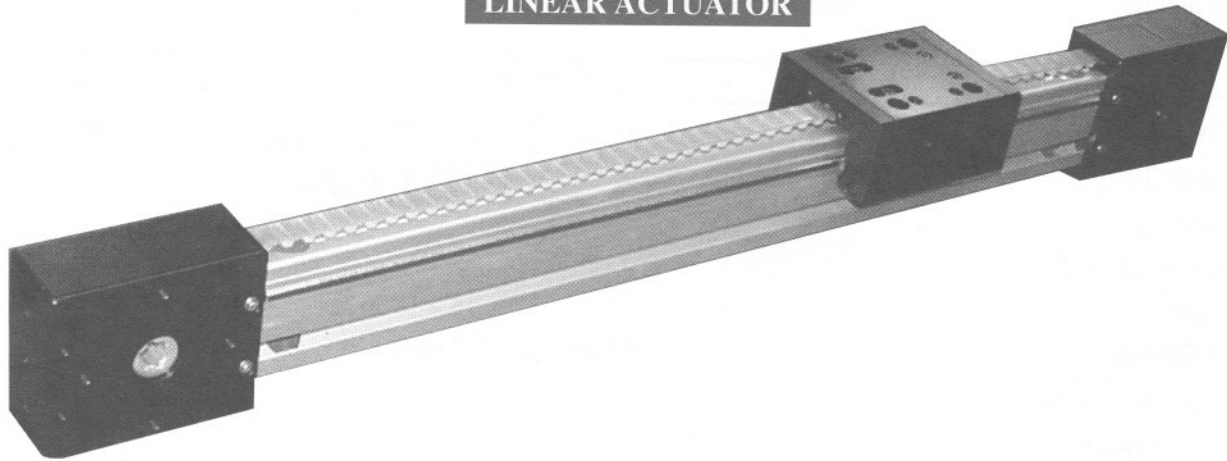


MACRON MINI 6 - 56 LINEAR ACTUATOR



Features

- Macron actuators are furnished to your specifications
- Available in any length up to 12 meters (40 ft.)
- Fast turnaround on all standard units

Optional

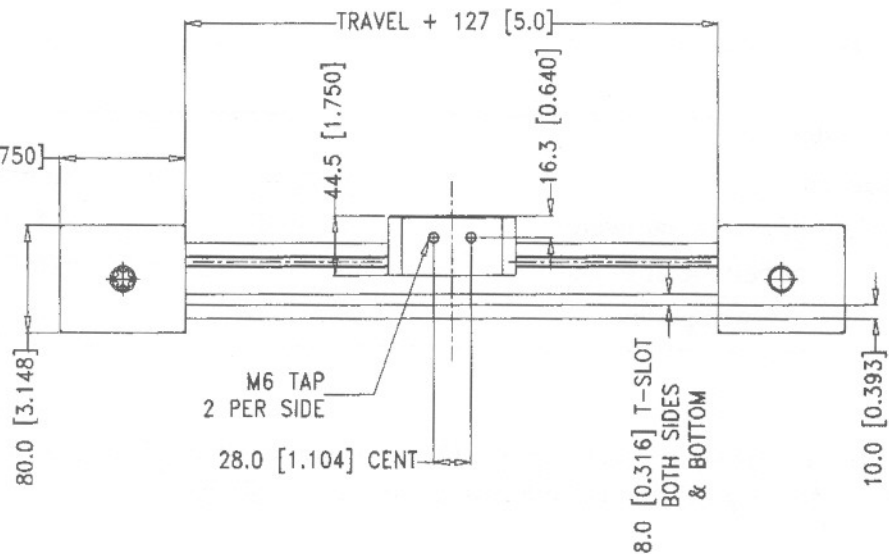
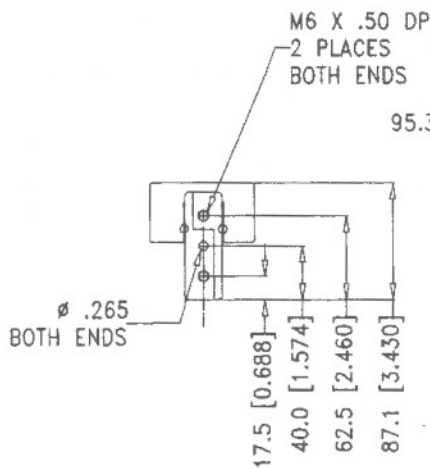
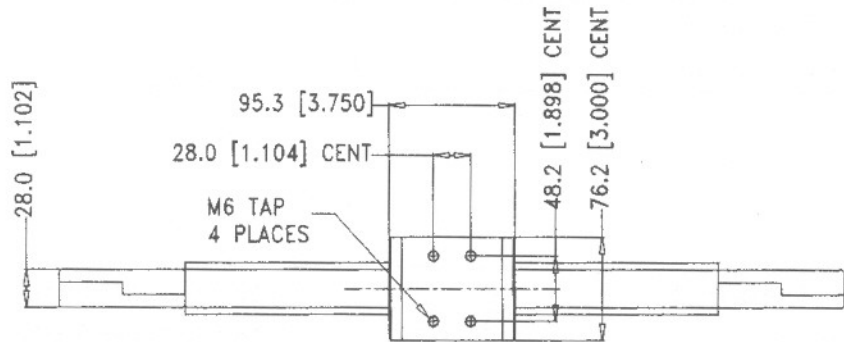
- Sensors
- Wrap-Around Cart (WAC)
- Bellows

Motor Mounting (See Page 22)

- Motor Mount Adapter
- NEMA 23, 34 & 42 (standard)
- 48, 56 & non-NEMA sizes (optional)
- Spline Adapter
- Shafted Pulley

Sold & Serviced By:

 Toll Free Phone (877) SERV098
 Toll Free Fax (877) SERV099
 www.electromate.com
 sales@electromate.com




MACRON MINI 6 - 56
LINEAR ACTUATOR
TECHNICAL DATA

Specifications:

Repeatability		+/- 0.001 in
Linear Accuracy		+/- 0.003 in per 36 in
Breakaway Torque		10 - 12 oz-in
Belt Tensile Limit		875 lbs
Belt Running Load		250 lbs
Travel/Revolution		200 mm/rev (7.874 in/rev)
Pulley Diameter		63.66 mm (2.506 in)
Pulley Weight (each)		6.5 oz
Maximum Speed		400 in/sec
Acceleration Exceeding		20 G's
Motor Mount/Coupling		NEMA 23, 34 & 42 (standard), 48, 56 & non-NEMA sizes (optional)

Shipping Weight

<small>Sold & Serviced By:</small>  <small>For Free Phone (877) SERV098</small> <small>Toll Free Fax (877) SERV099</small> <small>www.electromate.com</small> <small>sales@electromate.com</small>	First meter of travel		12 lbs
	Additional per meter		4 lbs

Load Capacities

Dynamic Horizontal		To Customer Specifications
Static Horizontal		To Customer Specifications

Inertia Calculation

~ W values of actuators	weight	inertia
~ weight of cart & hardware	1.156 lbs	1.812 lbs - in ²
~ weight of belt/meter of travel	0.625 lbs/m	0.980 lbs - in ²
~ weight of (two) pulleys	0.812 lbs	0.637 lbs - in ²

For Multi-Axis Units and other specifications not listed, contact your local Distributor or Macron for Engineering Design assistance and quotations.