

POSITAL

FRABA



TILTIX Inclinometer

AKS-360-1-CA01-VK2-PV

POSITAL
FRABA



General Specifications

Application	Dynamic Inclinometer 1-Axis
Measurement Range	360°
Absolute Accuracy	±0.30°
Resolution	0.01°
Repeatability	≤0.05°
Dynamic Accuracy	±0.50°
Cycle Time Base Sensor	5 ms
Hysteresis	≤0.05°
Device Orientation	Vertical

Sold & Serviced By:



Canadian and International Sales

ELECTROMATE

877-737-8698

sales@electromate.com

www.electromate.com

U.S. Sales

SERVO2GO.com

877-378-0240

sales@servo2go.com

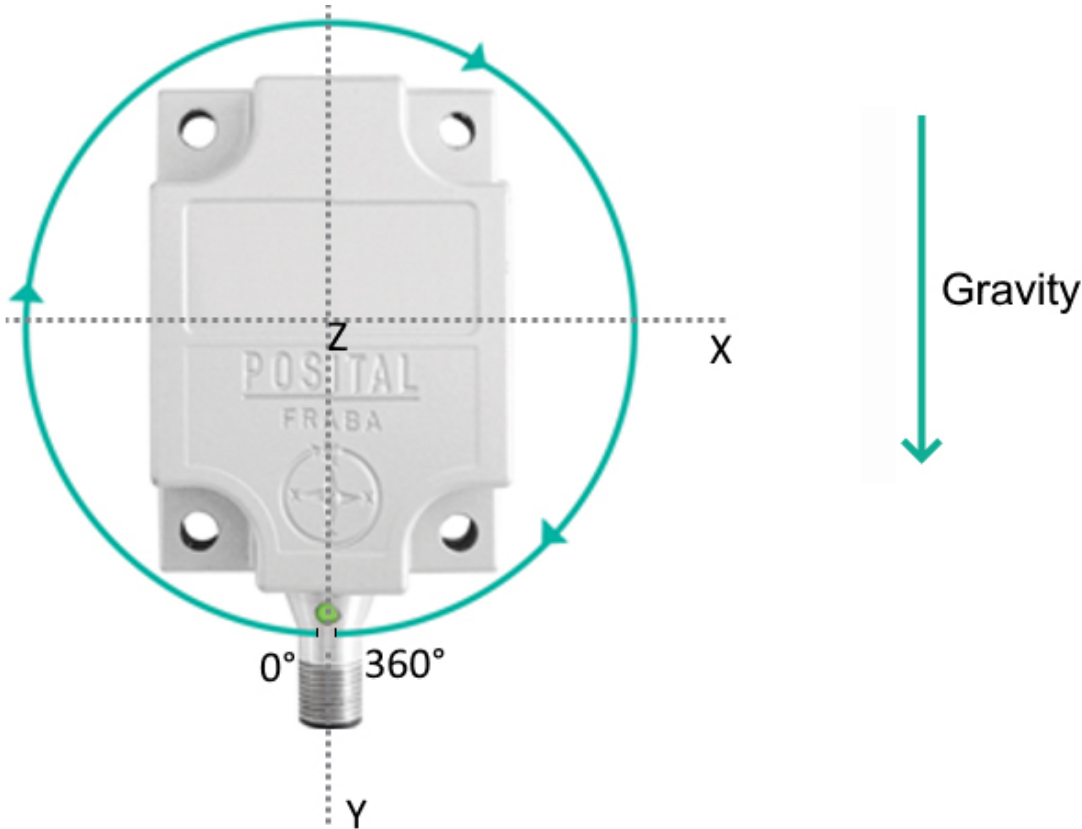
www.servo2go.com

Data Sheet

Printed at 4-06-2021 15:06

POSITAL

FRABA



Electrical Specifications

Supply Voltage	9 - 30 VDC
Current Consumption	≤ 65 mA @ 10 V DC, ≤ 60 mA @ 24 V DC
EMC: Emitted Interference	DIN EN 61000-6-4
EMC: Noise Immunity	DIN EN 61000-6-2
Reverse Polarity Protection	Yes
Short Circuit Protection	Yes
MTTF	260 years @ 40 °C

Environmental Specifications

Operating Temperature	-40 °C (-40 °F) - +75 °C (+167 °F)
Storage Temperature	-40 °C (-40 °F) - +85 °C (+185 °F)
Temperature Gradient	0.008°/ K
Protection Class	IP68/IP69K
Shock Resistance	≤ 100 g (half sine 6 ms, EN 60068-2-27)
Vibration Resistance	1.5 mm (10 Hz - 58 Hz) & ≤ 20 g (58 Hz to 2000 Hz)

Data Sheet

Printed at 4-06-2021 15:06

POSITAL

FRABA



Mechanical Specifications

Housing Material	Die-Cast Aluminum Alloy
Potting Material	PUR (Polyurethane)
Weight	220 g (0.49 lb)

Interface

Interface	CANopen
Settling Time	50 ms
Output Driver	Transceiver (ISO 11898), Galvanically Isolated by Opto-Coupl
Profile	DS-410
Transmission Rate	min. 20 kBaud, max. 1 MBaud
Default Transmission Rate	125 kBaud
Default Node ID	1h

Electrical Connection

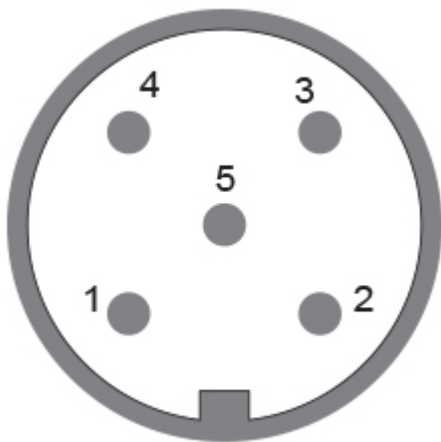
Connection Type	Connector M12
Connector	M12, Male, 5 pin, a coded

Product Life Cycle

Product Life Cycle	New
--------------------	-----

Certification

Approval	CE + E1
----------	---------



POSITAL

FRABA



Connection Plan

SIGNAL	PIN NUMBER
Power Supply	2
GND	3
CAN High	4
CAN Low	5
CAN GND	1

Dimensional Drawing

[2D Drawing](#)

Accessories

Connectors & Cables

5m PUR Cable, 5pin, A-Coded, f

2m PUR Cable, 5pin, A-Coded, f

10m PUR Cable, 5pin, A-Coded, f

POS M12 5pin-A Female+5m PUR Cable

POS M12 5pin-A Female+2m PUR Cable

POS M12 5pin-A Female+10m PUR Cable

10m PUR Cable, 5pin, A-Coded, f IP69K

M12, 5pin A-Coded, Female

More

Got questions? Need an individual solution? We are here to help!

Sold & Serviced By:



Canadian and International Sales

ELECTROMATE

877-737-8698

sales@electromate.com

www.electromate.com

U.S. Sales

SERVO2GO.com

877-378-0240

sales@servo2go.com

www.servo2go.com

All dimension in [inch] mm. This drawing and the information contained is for general presentation purposes only. Please refer to the "Download" section for detailed technical drawings. © FRABA B.V., All rights reserved. We do not assume responsibility for technical inaccuracies or omissions. Specifications are subject to change without notice.

Data Sheet

Printed at 4-06-2021 15:06