

FL 70 R

Fibre-optic sensor



PRODUCT HIGHLIGHTS

- Fibre-optic sensor for the adaptation of a wide variety of fibre-optic cables
- DIN-rail mounting
- No mutual interference thanks to automatic communication
- Simple operation via electronic Teach-in button or control line
- Robust plastic housing (IP 64)

Optical data		Functions	
Scanning distance	Dependant on fibre-optic cable (scanner) ¹	Indicator LED, green	Operating voltage indicator
Operating range	Dependant on fibre-optic cable (cabinet)	Indicator LED, yellow	Switching output indicator
Type of light	LED, red, 630 nm	Scanning distance adjustment	Via Teach-in button and control input
Distance hysteresis	< 10 % of set scanning distance	Adjustment possibilities	Button lock via control input; N.O./N.C.
		Default setting	N.O.
Functions		Mechanical data	
Operating voltage, +U _B	10 ... 30V DC ²	Dimensions	84 x 35 x 10 mm
No-load current, I ₀	≤ 20 mA	Enclosure rating	IP 64 ³
Output current, I _e	≤ 100 mA	Material, housing	ABS
Protective circuits	Reverse-polarity protection, U _B / short-circuit protection (Q)	Type of connection	See Selection Table
Protection Class	2	Ambient temperature: operation	-20 ... +60 °C
Switching output, Q	PNP/NPN (see Selection Table)	Ambient temperature: storage	-20 ... +80 °C
Output function	N.O./N.C.	Weight (plug device)	20 g
Switching frequency, f (ti/tp 1:1)	≤ 1500 Hz	Weight (cable device)	50 g
Control input, IN (only 4-pin version)	+U _B = teach-in -U _B = button locked Open = normal operation		

¹ Reference material: white, 90 % reflectivity ² Max. 10 % ripple, within U_B ³ With connected IP 64 plug

Switching output	Type of connection	Part number	Article number
PNP	Plug, M8x1, 4-pin	FL 70 R-PS-M4	567-71000
NPN	Plug, M8x1, 4-pin	FL 70 R-NS-M4	567-71001
PNP	Cable, 2 m, 4-wire	FL 70 R-PS-K4	567-71002
NPN	Cable, 2 m, 4-wire	FL 70 R-NS-K4	567-71003

Sold & Serviced By:

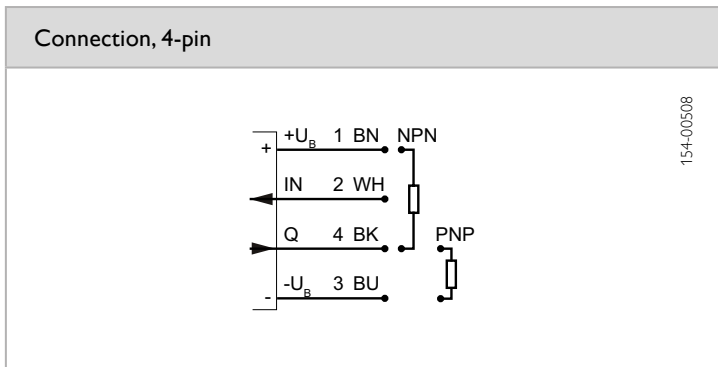
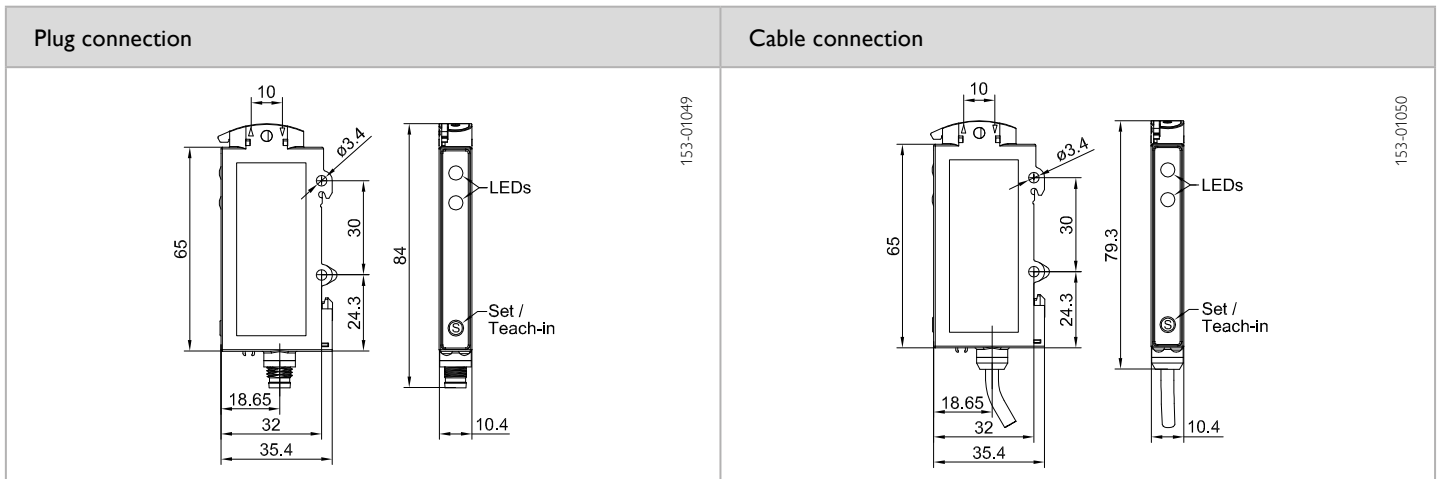


Toll Free Phone (877) SERV098

www.electromate.com

sales@electromate.com

Version: 07/2016. Subject to changes; diagrams similar



Accessories	
Connection cables	From Page A-38
Brackets	From Page A-4
Fibre-optic cables	From Page 514

Sold & Serviced By:



Toll Free Phone (877) SERV098

www.electromate.com

sales@electromate.com