

FT 05

Photoelectric diffuse sensor IR



PRODUCT HIGHLIGHTS

- Very small size: cylindrical housing M5
- Simple installation thanks to standard threads
- Infrared light

Optical data		Functions	
Maximum range	0 ... 60 mm ¹	Indicator LED, green	Switching state indicator
Scanning distance	0 ... 50 mm ¹	Indicator LED, yellow	Functional reserve indicator
Type of light	Infrared, 850 nm		
Light spot size	See diagram		
Electrical data		Mechanical data	
Operating voltage, +U _b	10 ... 30V DC	Dimensions	M5 x 45 mm
No-load current, I ₀	≤ 12 mA	Enclosure rating	IP 67 ²
Output current, I _e	≤ 100 mA	Material, housing	Stainless steel, V2A
Protective circuits	Reverse-polarity protection, U _b / short-circuit protection	Material, front screen	PBT / PMMA
Power On Delay	120 ms	Type of connection	See selection table
Switching output, Q	NPN max. 100 mA / high ≤ (U _b - 2.0V) / approx. 0V	Ambient temperature: operation	-25 ... +65 °C
Output function	N.O.	Ambient temperature: storage	-25 ... +65 °C
Switching frequency, f (ti/tp 1:1)	≤ 1000 Hz	Weight	4 g
Response time	≤ 500 μs	Vibration and impact resistance	IEC 60947-5-2

¹ Reference material: Kodak white, 90 % reflectivity ² With connected IP 67 plug

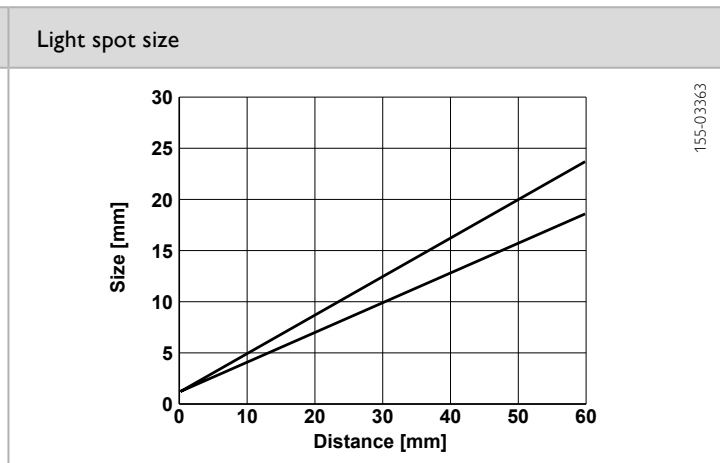
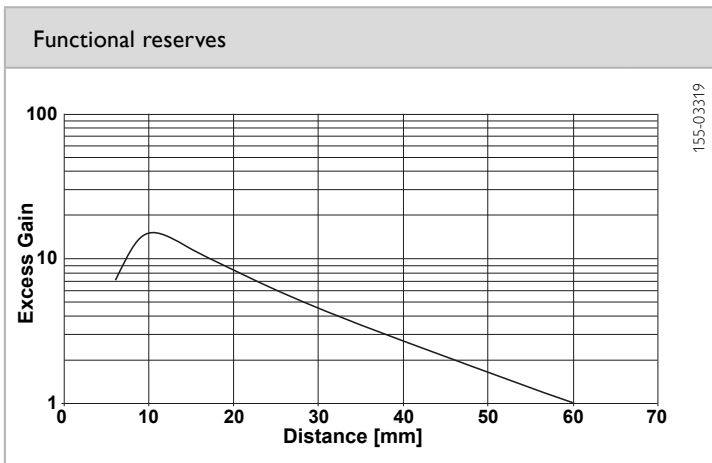
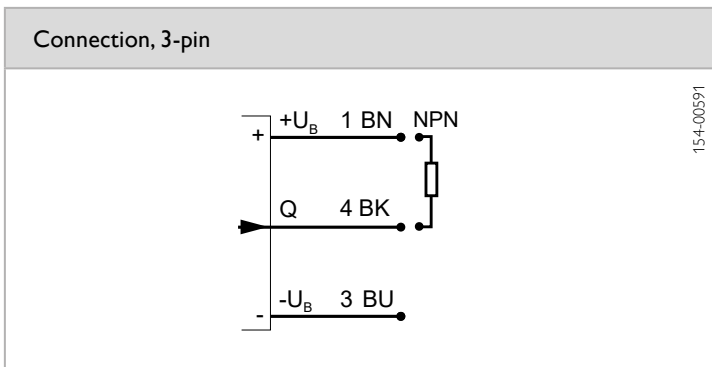
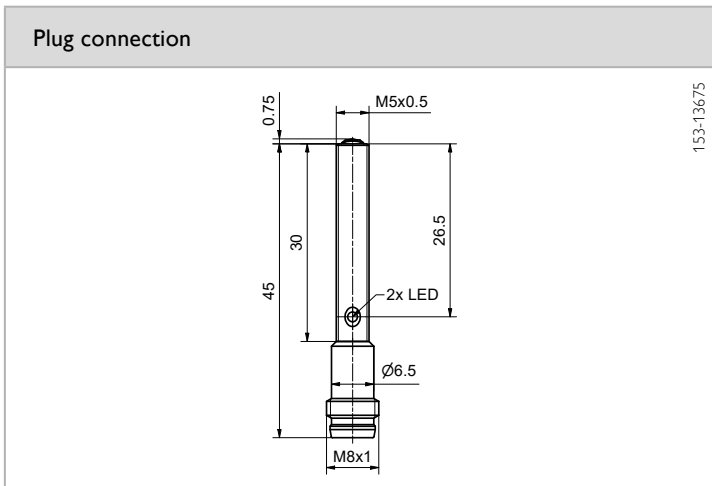
Switching output	Type of connection	Part number	Article number
NPN	Plug, M8, 3-pin	FT 05 IR-NS-M3	719-21004

Sold & Serviced By:



Toll Free Phone (877) SERV098

www.electromate.com
sales@electromate.com



Reference material	Scanning distance	Accessories	
White (90 %)	50 mm	Connection cables	From Page A-44
Grey (18 %)	30 mm	Brackets	From Page A-4
Black (6 %)	12 mm		

Sold & Serviced By:



Toll Free Phone (877) SERV098
www.electromate.com
sales@electromate.com