

FT 25-RHD

Photoelectric proximity sensor with background suppression

Sold & Serviced By:



Toll Free Phone (877) SERV098

www.electromate.com

sales@electromate.com



PRODUCT HIGHLIGHTS

- Auto-detect photoelectric proximity sensor with real PNP and real NPN functions
- Precisely adjustable background suppression
- Long scanning distance of 400 mm with small and compact housings
- Reliable operation even with highly reflective backgrounds, thanks to SensoPart ASIC technology
- Simple alignment thanks to easily visible light spot
- Robust glass-fibre-reinforced plastic housings

Optical data		Functions	
Scanning distance	3 ... 400 mm ¹	Indicator LED, green	Operating voltage indicator
Adjustment range	30 ... 400 mm ¹	Indicator LED, yellow	Switching output indicator
Type of light	LED, red, 632 nm	Scanning distance adjustment	Via Teach-in button and control input
Light spot size	See diagram	Teach-in modes	Mode 1: during running process Mode 2: during standing process
		Adjustment possibilities	N.O./N.C. via Teach-in button and control input Button lock via control input Auto-detect / NPN/ PNP via Teach-in button and control input (only Auto-detect variants)
		Default settings	Max. scanning distance and N.O.
Electrical data		Mechanical data	
Operating voltage, +U _B	10 ... 30V DC ²	Dimensions	34 x 20 x 12 mm
No-load current, I ₀	≤ 30 mA	Enclosure rating	IP 69K & IP 67 ³
Output current, I _e	≤ 100 mA	Material, housing	ABS
Protective circuits	Reverse-polarity protection, U _B / short-circuit protection (Q)	Material, front screen	PMMA
Protection Class	2	Type of connection	See Selection Table
Power On Delay	< 300 ms	Ambient temperature: operation	-20 ... +60 °C ⁴
Switching output, Q	PNP/NPN / Auto-Detect (PNP/NPN) (see Selection Table)	Ambient temperature: storage	-20 ... +80 °C
Output function	N.O./N.C.	Weight (plug device)	10 g
Switching frequency, f (ti/tp 1:1)	≤ 1000 Hz	Weight (metal plug device ⁵)	10 g
Response time	500 μs	Weight (cable device)	40 g
Control input, IN	+U _B = teach-in, -U _B = button locked Open = normal operation	Weight (pigtail)	20 g
		Vibration and impact resistance	EN 60947-5-2

¹ Reference material: white, 90 % reflectivity

² Max. 10 % ripple, within U_B, ~ 50 Hz / 100 Hz

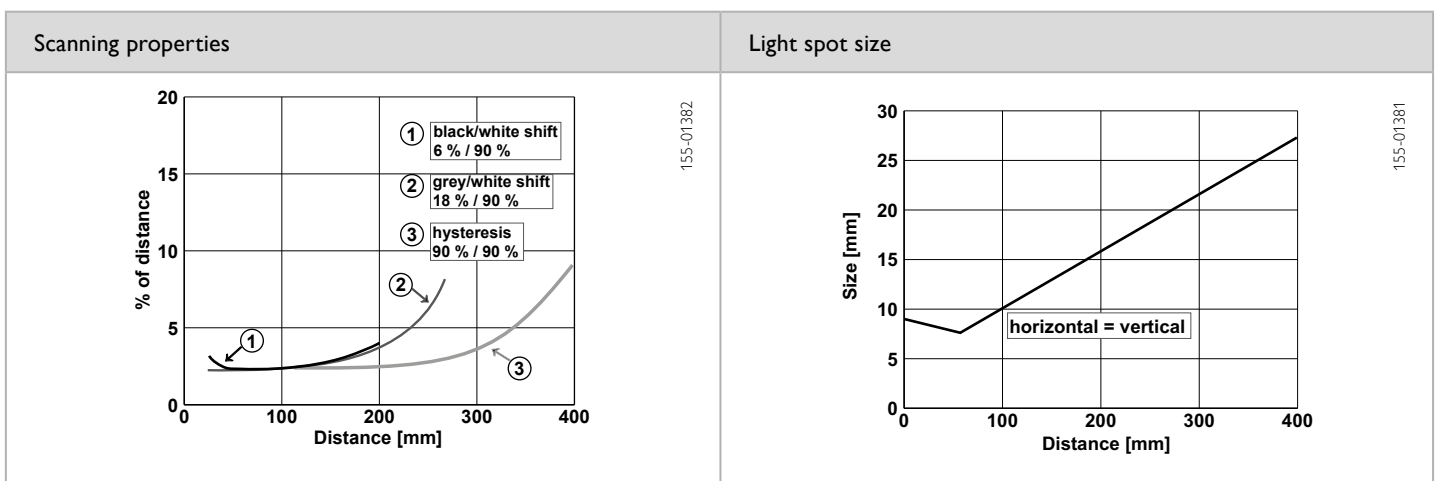
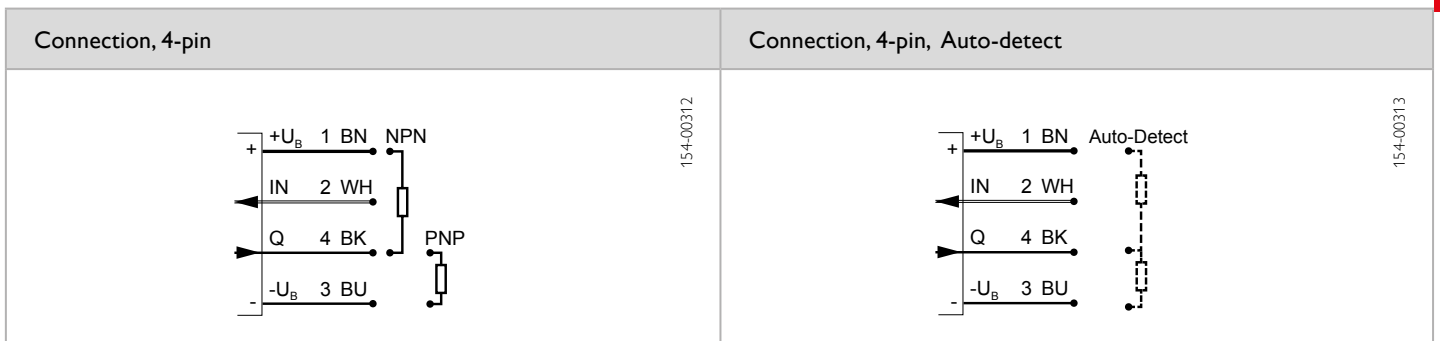
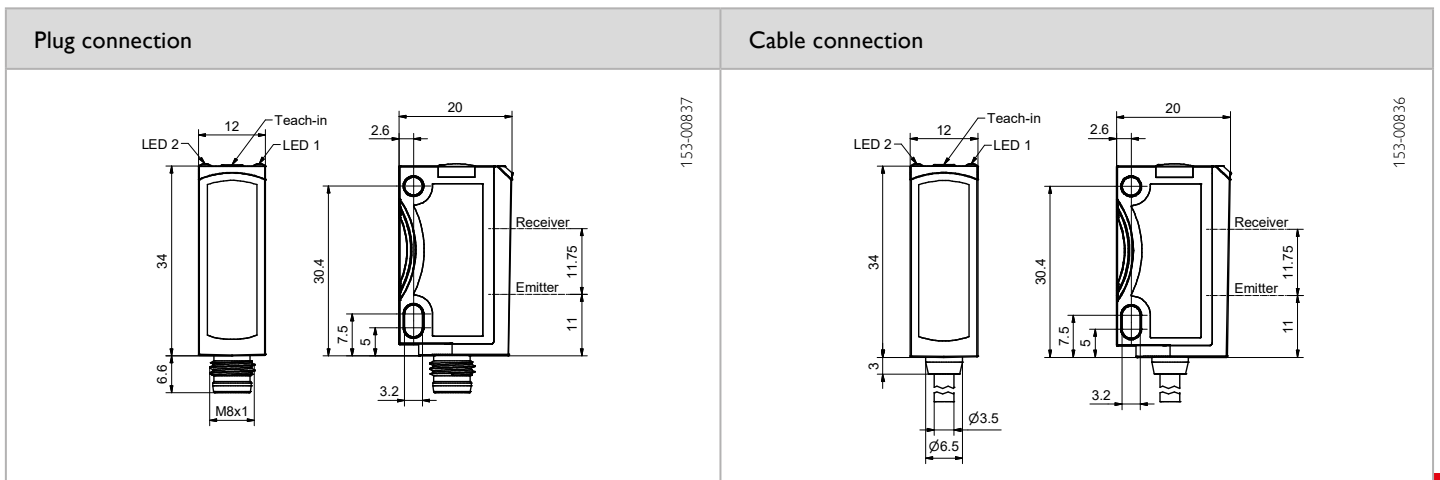
³ With connected IP 67 / IP 69K plug

⁴ UL: -20 ... +50 °C

⁵ No Ecolab

Scanning distance	Switching output	Type of connection	Part number	Article number
3 ... 400 mm	PNP	Plug, M8x1, 4-pin	FT 25-RHD-PS-M4	608-11000
3 ... 400 mm	NPN	Plug, M8x1, 4-pin	FT 25-RHD-NS-M4	608-11002
3 ... 400 mm	PNP	Plug, M8x1, 3-pin	FT 25-RHD-PS-M3M	608-11029
3 ... 400 mm	PNP	Metal plug, M8x1, 4-pin	FT 25-RHD-PS-M4M	608-11016
3 ... 400 mm	NPN	Metal plug, M8x1, 4-pin	FT 25-RHD-NS-M4M	608-11017
3 ... 400 mm	PNP	Cable, 2 m, 4-wire	FT 25-RHD-PS-K4	608-11001
3 ... 400 mm	NPN	Cable, 2 m, 4-wire	FT 25-RHD-NS-K4	608-11003
3 ... 400 mm	PNP	Pigtail, 150 mm with plug, M8, 4-pin	FT 25-RHD-PS-KM4	608-11030

Scanning distance	Switching output	Type of connection	Part number	Article number
3 ... 400 mm	NPN	Pigtail, 150 mm with plug, M8, 4-pin	FT 25-RHD-NS-KM4	608-11033
3 ... 400 mm	PNP	Pigtail, 150 mm with plug, M12, 4-pin	FT 25-RHD-PS-KL4	608-11010
3 ... 400 mm	NPN	Pigtail, 150 mm with plug, M12, 4-pin	FT 25-RHD-NS-KL4	608-11011
3 ... 400 mm	Auto-detect	Metal plug, M8x1, 4-pin	FT 25-RHD-PNS-M4M	608-11019



Reference material	Detection range	Accessories
White (90 %)	3 ... 400 mm	Connection cables
Grey (18 %)	6 ... 260 mm	Brackets
Black (6 %)	12 ... 200 mm	
		From Page A-38
		From Page A-4