

FT 50 BH

BlueLight-Photoelectric diffuse sensor with background suppression



PRODUCT HIGHLIGHTS

- Precisely adjustable background suppression
- Simple scanning distance adjustment thanks to indicator scale
- Plug connector rotatable

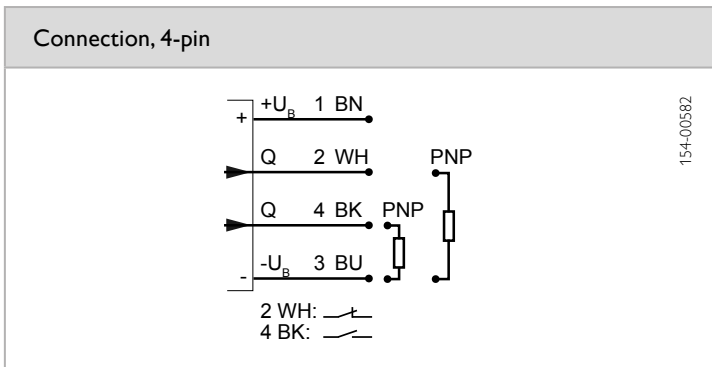
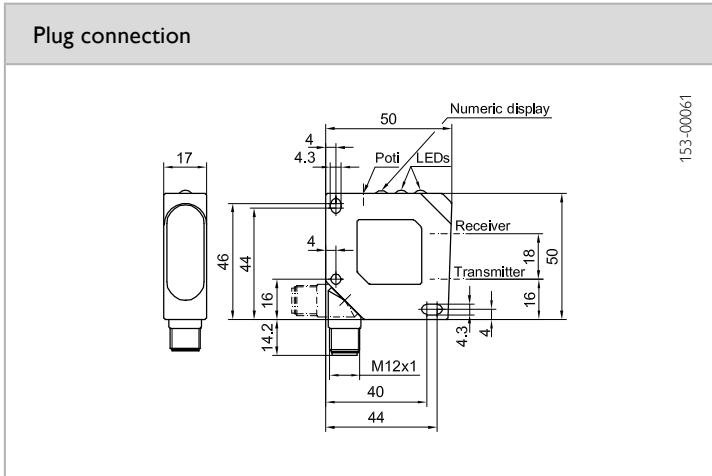
Optical data		Functions	
Scanning distance	40 ... 300 mm ¹	Indicator LED, green	Operating voltage indicator
Type of light	LED, blue, 450 nm	Indicator LED, yellow	Switching output indicator
Light spot size ²	5 x 5 mm ²	Indicator LED, red	Contamination indicator
		Scanning distance adjustment	Via potentiometer
Electrical data		Mechanical data	
Operating voltage, +U _b	10 ... 30V DC ³	Dimensions	50 x 50 x 17 mm
No-load current, I ₀	≤ 35 mA ⁴	Enclosure rating	IP 67 ⁵
Output current, I _e	≤ 200 mA	Material, housing	ABS
Protective circuits	Reverse-polarity protection, U _b / short-circuit protection (Q)	Material, front screen	PMMA
Protection Class	2	Type of connection	See selection table
Power On Delay	≤ 300 ms	Ambient temperature: operation	-20 ... +60 °C
Switching output, Q	PNP/NPN, antivalent (see selection table)	Ambient temperature: storage	-20 ... +80 °C
Output function	N.O./N.C. (see selection table)	Weight (plug device)	40 g
Switching frequency, f (ti/tp 1:1)	≤ 1000 Hz	Weight (cable device)	130 g
Response time	500 μs	Vibration and impact resistance	EN 60947-5-2
Connection, BK	N.O.		
Connection, WH	N.C.		
Contamination output, WH (optional)	N.O. (see selection table)		

¹ Reference material: grey, 18 % reflectivity ² At scanning distance of 200 mm ³ Max. 10 % ripple, within U_b ⁴ At 24V DC ⁵ With connected IP 67 plug

Scanning distance	Switching output	Type of connection	Part number	Article number
40 ... 300 mm	PNP, antivalent	Plug, M12x1, 4-pin	FT 50 BH-PAL4	572-51070

Sold & Serviced By:

 Toll Free Phone (877) SERV098
www.electromate.com
sales@electromate.com



Accessories

Connection cables	From Page A-38
Brackets	From Page A-4