

FT 50 C-UV

Luminescence sensor



PRODUCT HIGHLIGHTS

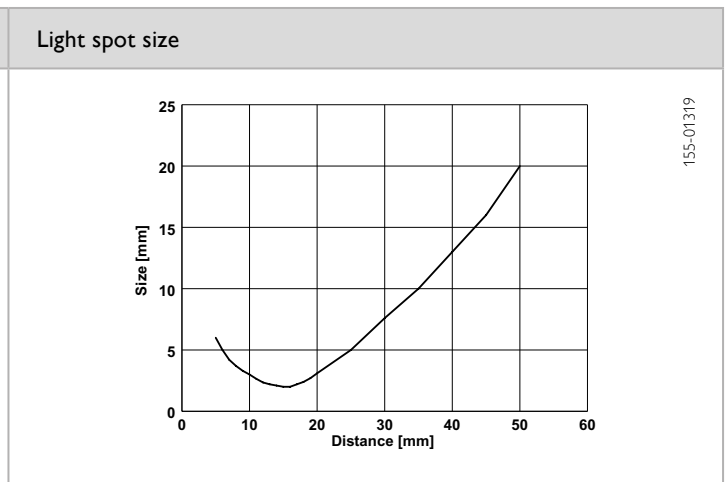
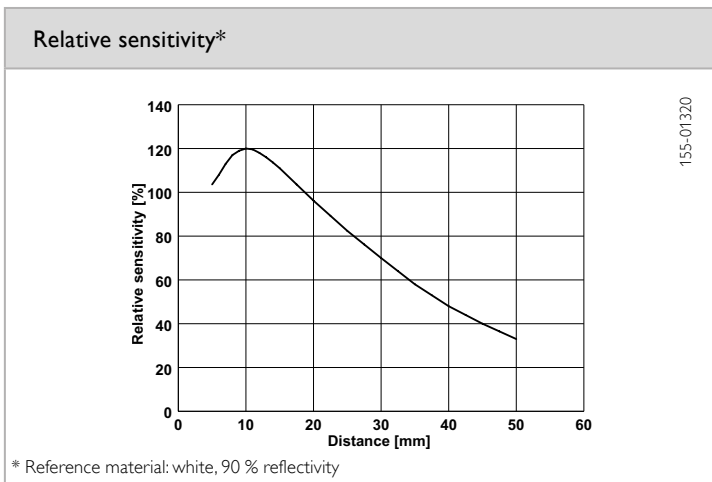
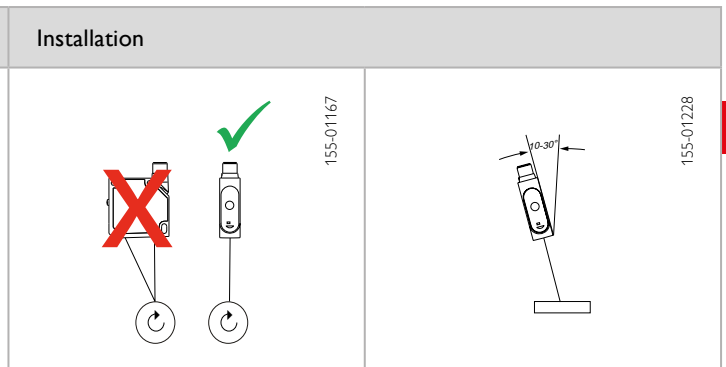
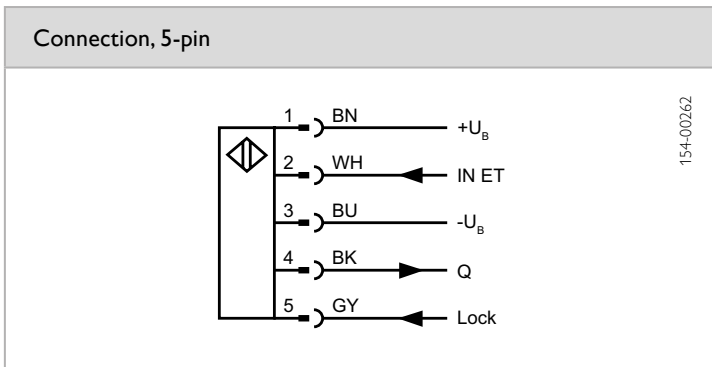
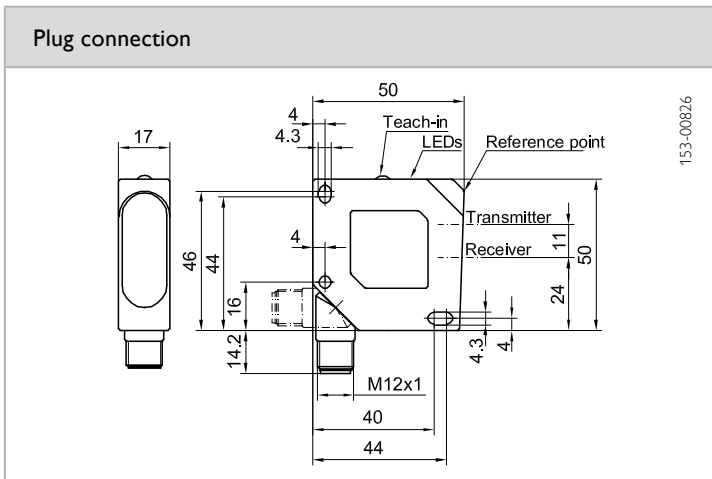
- Detection of luminescent materials, e.g. in paper, oil and glues
- Precise, small light spot for maximum positioning accuracy
- Flexibility through large scanning range
- Robust, dazzle-proof operation
- Plug rotatable for simple integration in the machine

Optical data		Functions	
Scanning distance	5 ... 50 mm	Indicator LED, green	Operating voltage indicator
Optimum scanning distance	18 mm	Indicator LED, yellow	Switching output indicator
Type of light	UV diode, 375 nm ¹	Sensitivity adjustment	Via teach-in button and control line
Light spot size	See diagram	Teach-in	During standing process
		Adjustment possibilities	Button lock via control input
		Default setting	Max. sensitivity and N.O.
Electrical data		Mechanical data	
Operating voltage, +U _B	12 ... 28V DC ²	Dimensions	50 x 50 x 17 mm
No-load current, I ₀	≤ 40 mA	Enclosure rating	IP 67 ⁴
Output current, I _e	≤ 100 mA	Material, housing	ABS
Voltage drop, U _D	≤ 2.4V	Material, front screen	Glass
Max. capacitive load	< 100 nF	Type of connection	(See selection table)
Protective circuits	Reverse-polarity protection, U _B / short-circuit protection (Q)	Ambient temperature: operation	-10 ... +55 °C
Protection Class	2	Ambient temperature: storage	-20 ... +80 °C
Power On Delay	< 300 ms	Weight (plug device)	40 g
Switching output, Q	PNP	Vibration and impact resistance	EN 60947-5-2
Output function	N.O.		
Switching frequency, f (ti/tp 1:1)	≤ 500 Hz		
Response time	1 ms		
Control input, ET ³	12V ... 28V = teach-in < 3V / open = normal operation		
Control input, Lock	12V ... 28V = button locked < 3V / open = normal operation (button free)		

¹ Risk-free at observation distances of > 60 mm acc. to DIN EN 62471:2008. Do not look into beam at observation distances of < 60 mm.

² Max. 10 % ripple, within U_B, ~ 50 Hz / 100 Hz ³ Min. response time 100 ms ⁴With connected IP 67 / IP 69K plug

Scanning distance	Switching output	Type of connection	Part number	Article number
5 ... 50 mm	PNP	Plug, M12x1, 5-pin	FT 50 C-UV-1-PSL5	575-11020



Accessories

Connection cables	From Page A-38
Brackets	From Page A-4

Sold & Serviced By:

ELECTROMATE

Toll Free Phone (877) SERV098
www.electromate.com
sales@electromate.com