

# FT 55-RH

Photoelectric diffuse sensor with background suppression



## PRODUCT HIGHLIGHTS

- Long scanning distance of 1.20 m
- Precisely adjustable background suppression – reliable operation even with highly reflective and glossy backgrounds
- Reliable suppression of ambient light, such as sunlight and halogen lamps
- Precise scanning distance adjustment by means of potentiometer

Optical data		Functions	
Scanning distance	3 ... 1200 mm <sup>1</sup>	Indicator LED, green	Operating voltage indicator
Type of light	LED, red, 640 nm	Indicator LED, yellow	Switching output indicator / contamination indicator
Light spot size	See diagram	Scanning distance adjustment	Via potentiometer
		Adjustment possibilities	N.O./N.C. via control input
		Default settings	S <sub>n</sub> = 500 mm (6 %)
Electrical data		Mechanical data	
Operating voltage, +U <sub>b</sub>	10 ... 30V DC <sup>2</sup>	Dimensions	50 × 50.1 × 23 mm
No-load current, I <sub>0</sub>	≤ 30 mA	Enclosure rating	IP 69K & IP 67 <sup>3</sup>
Output current, I <sub>e</sub>	≤ 100 mA	Material, housing	PC-ABS
Protective circuits	Reverse-polarity protection, U <sub>b</sub> / short-circuit protection (Q)	Material, front screen	PMMA
Protection Class	2	Type of connection	See selection table
Power On Delay	< 300 ms	Ambient temperature: operation	-20 ... +60 °C <sup>4</sup>
Switching output, Q	PNP/NPN (see selection table)	Ambient temperature: storage	-20 ... +80 °C
Output function	N.O./N.C.	Weight (plug device)	35 g
Switching frequency, f (ti/tp 1:1)	≤ 600 Hz	Weight (cable device)	125 g
Response time	830 μs	Vibration and impact resistance	EN 60947-5-2
Control input, IN	+U <sub>b</sub> = N.C. -U <sub>b</sub> / Open = N.O.		

<sup>1</sup> Reference material: white, 90 % reflectivity    <sup>2</sup> Max. 10 % ripple, within U<sub>b</sub>, ~ 50 Hz / 100 Hz    <sup>3</sup> With connected IP 67 / IP 69K plug    <sup>4</sup> UL: max. +45 °C

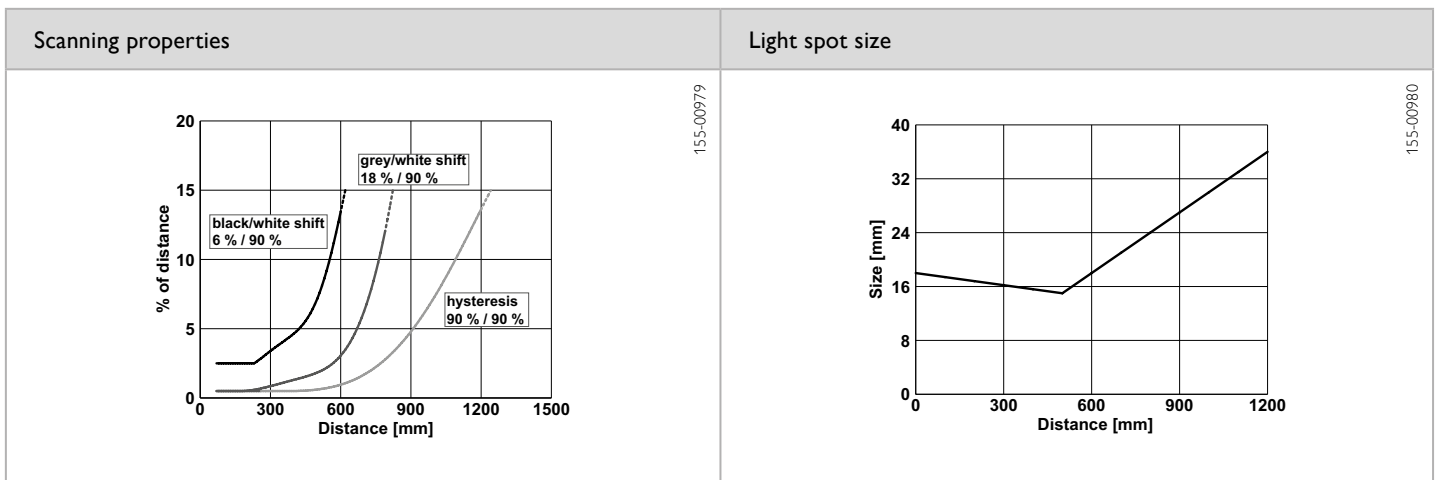
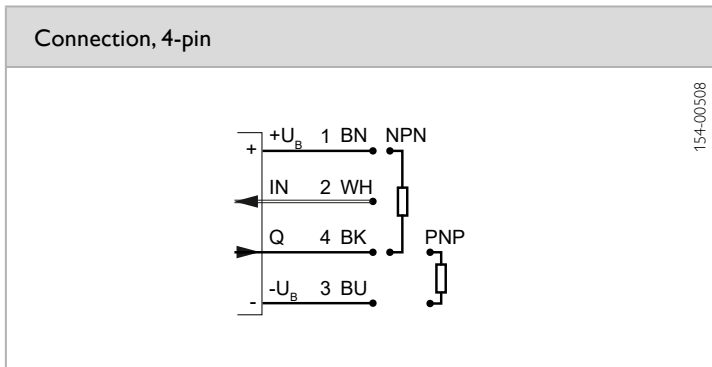
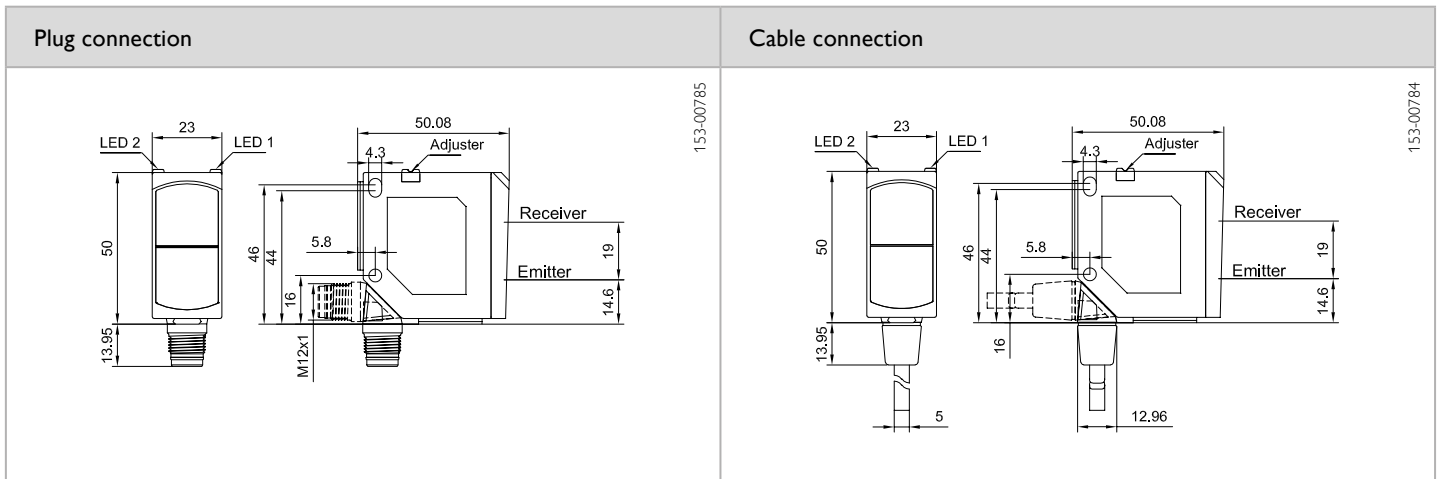
Scanning distance	Switching output	Type of connection	Part number	Article number
3 ... 1200 mm	PNP	Plug, M12x1, 4-pin	FT 55-RH-PS-L4	623-11000
3 ... 1200 mm	NPN	Plug, M12x1, 4-pin	FT 55-RH-NS-L4	623-11001
3 ... 1200 mm	PNP	Cable, 3 m, 4-wire	FT 55-RH-PS-K4	623-11003
3 ... 1200 mm	NPN	Cable, 3 m, 4-wire	FT 55-RH-NS-K4	623-11004

Sold & Serviced By:



Toll Free Phone (877) SERV098

www.electromate.com  
sales@electromate.com



Reference material	Detection range
White (90 %)	3 ... 1200 mm
Grey (18 %)	5 ... 800 mm
Black (6 %)	10 ... 600 mm

Accessories	
Connection cables	<a href="http://www.sensopart.com/en/accessories">www.sensopart.com/en/accessories</a>
Brackets	