

IMT 18-8

Inductive sensor

Sold & Serviced By:

ELECTROMATE

Toll Free Phone (877) SERV098

www.electromate.com

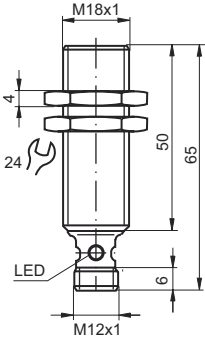
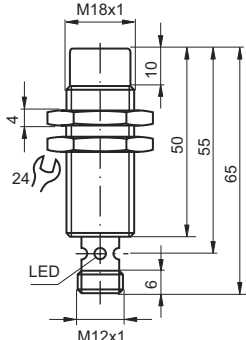
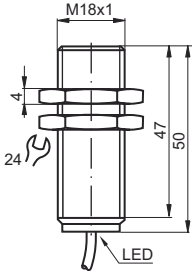
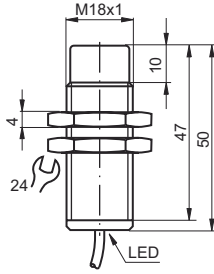
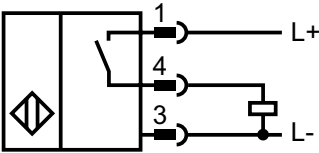
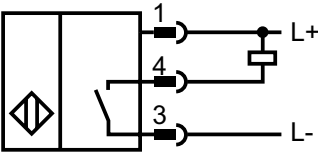
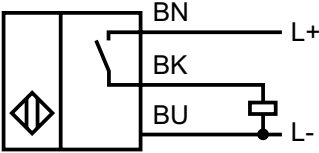
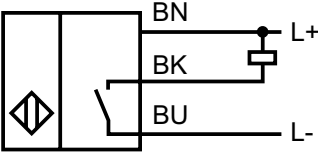
sales@electromate.com



Sensor data		Functions	
Switching distance	8 mm	Indicator LED, yellow	Switching output indicator
Ensured switching distance	0 ... 6.48 mm		
Reduction factor; Al	0.45 ¹ / 0.50 ²		
Reduction factor; Cu	0.40		
Reduction factor; V2A	0.70		
Electrical data		Mechanical data	
Operating voltage, +U _B	10 ... 30V DC	Dimensions (plug device)	M18 x 65 mm
No-load current, I ₀	≤ 15 mA ¹ / ≤ 18 mA ²	Dimensions (cable device)	M18 x 50 mm
Operating current, I _I	≤ 200 mA	Mounting	Flush / non-flush (see Selection Table)
Voltage drop, U _D	≤ 3V	Enclosure rating	IP 67 ³
Protective circuits	Reverse-polarity protection, U _B / short-circuit protection (Q)	Material, housing	Brass, nickel-plated
Switching output, Q	PNP / NPN (see Selection Table)	Material, front surface	PBT
Output function	N.O.	Type of connection	See Selection Table
Switching frequency, f (ti/tp 1:1)	≤ 500 Hz	Ambient temperature: operation	-25 ... +70 °C

¹ Flush devices ² Non-flush devices ³ With connected IP 67 plug

Switching distance	Mounting	Switching output	Type of connection	Part number	Article number
8 mm	Flush	PNP	Plug, M12x1, 3-pin [†]	IMT 18-8B-PS-L4	697-01054
8 mm	Flush	NPN	Plug, M12x1, 3-pin [†]	IMT 18-8B-NS-L4	697-01055
8 mm	Flush	PNP	Cable, 2 m, 3-wire	IMT 18-8B-PS-K3	697-01052
8 mm	Flush	NPN	Cable, 2 m, 3-wire	IMT 18-8B-NS-K3	697-01053
8 mm	Non-flush	PNP	Plug, M12x1, 3-pin [†]	IMT 18-8N-PS-L4	697-01031
8 mm	Non-flush	NPN	Plug, M12x1, 3-pin [†]	IMT 18-8N-NS-L4	697-01030
8 mm	Non-flush	PNP	Cable, 2 m, 3-wire	IMT 18-8N-PS-K3	697-01029
8 mm	Non-flush	NPN	Cable, 2 m, 3-wire	IMT 18-8N-NS-K3	697-01028

Plug connection (flush)	Plug connection (non-flush)
 <p style="text-align: right;">153-00885</p>	 <p style="text-align: right;">153-00873</p>
Cable connection (flush)	Cable connection (non-flush)
 <p style="text-align: right;">153-00884</p>	 <p style="text-align: right;">153-00872</p>
Connection plug, 3-pin (PNP) ⁴	Connection plug, 3-pin (NPN) ⁴
 <p style="text-align: right;">154-00294</p>	 <p style="text-align: right;">154-00293</p>
Connection cable, 3-wire (PNP)	Connection cable, 3-wire (NPN)
 <p style="text-align: right;">154-00294</p>	 <p style="text-align: right;">154-00293</p>

⁴ Plug M12x1 3-pin is compatible with M12x1 4- or 5-pin sockets

Sold & Serviced By:



Toll Free Phone (877) SERV098

www.electromate.com

sales@electromate.com