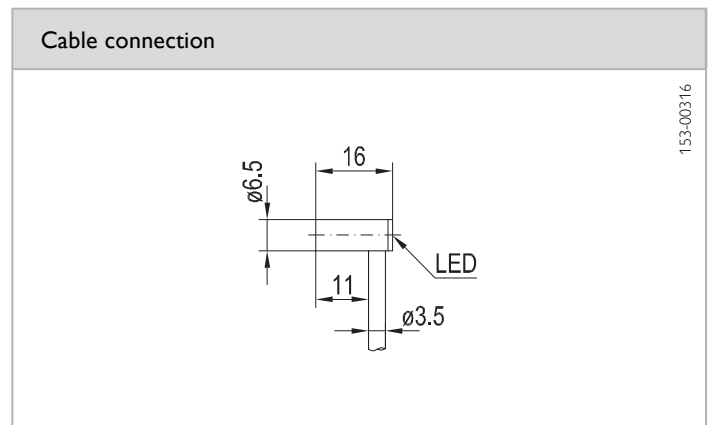
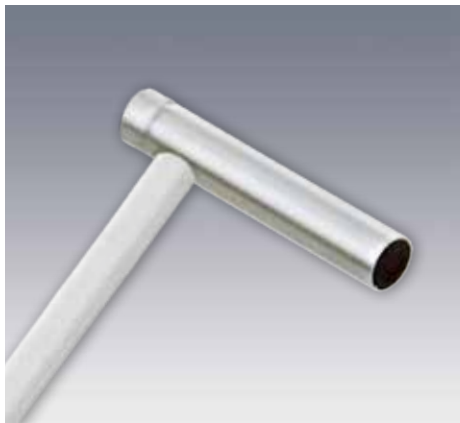


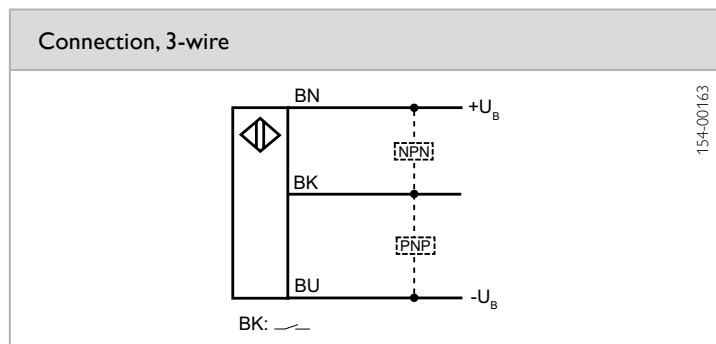
Inductive sensor with stainless steel housing



Sensor data		Functions	
Switching distance	1.5 mm	Indicator LED, yellow	Switching output indicator
Repeatability	0.02 mm ¹		
Hysteresis	≤ 10 % ²		
Reduction factor, Al	0.45		
Reduction factor, Cu	0.40		
Reduction factor, V2A	0.80		
Reduction factor, steel FE 360	1.00		
Reduction factor, brass	0.50		
Electrical data		Mechanical data	
Operating voltage, +U _B	10 ... 30V DC ³	Dimensions	Ø 6,5 x 16 mm
No-load current, I ₀	≤ 10 mA	Mounting	Flush
Output current, I _e	≤ 200 mA	Enclosure rating	IP 67 ⁴
Voltage drop, U _D	≤ 2V at 200 mA	Material, housing	Stainless steel, V2A
Protective circuits	Reverse-polarity protection, U _B / short-circuit protection (Q) / induction protection	Material, front surface	PA 66
Switching output, Q	PNP / NPN (see Selection Table)	Type of connection	See Selection Table
Output function	N.O.	Ambient temperature: operation	-25 ... 70 °C
Switching frequency, f (ti/tp 1:1)	≤ 5000 Hz	Vibration and impact resistance	IEC 60947-5-2 / 7.4

12

¹ U_B = 20 ... 30V DC, T_A = 23 °C ± 5 °C ² Refers to switching distance ³ Max. 20 % ripple, within U_B ⁴ With connected IP 67 plug



Sold & Serviced By:

 Toll Free Phone (877) SERV098
www.electromate.com
sales@electromate.com

Switching distance	Switching output	Type of connection	Part number	Article number
1.5 mm	PNP	Cable, 2m, 3-wire	ISZ 46-02	996-09488
1.5 mm	NPN	Cable, 2m, 3-wire	ISZ 46-01	996-09487