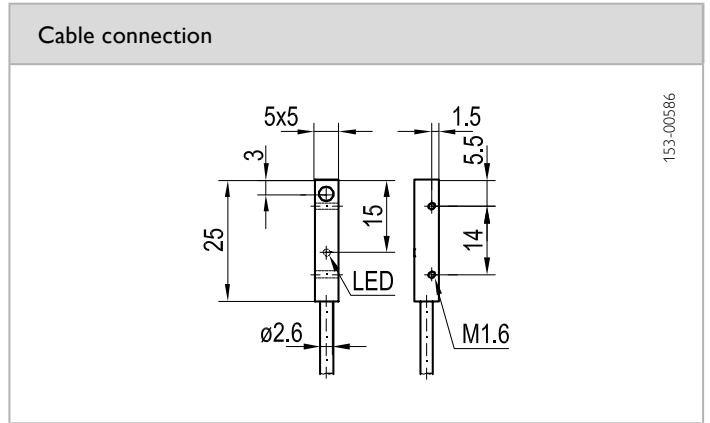


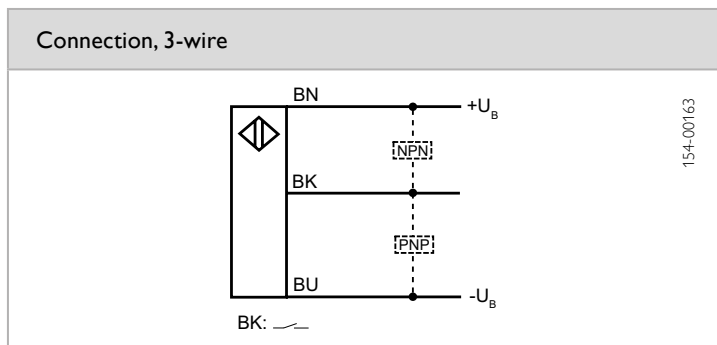
IS 455

Inductive sensor in cubic housing



Sensor data		Functions	
Switching distance	0.8 mm	Indicator LED, yellow	Switching output indicator
Repeatability	0.01 mm ¹		
Hysteresis	≤ 10 % ²		
Reduction factor; Al	0.60		
Reduction factor; Cu	0.60		
Reduction factor; V2A	0.85		
Reduction factor; steel FE 360	1.00		
Reduction factor; brass	0.70		
Electrical data		Mechanical data	
Operating voltage, +U _B	10 ... 30V DC ³	Dimensions	5 × 5 × 25 mm
No-load current, I ₀	≤ 10 mA	Mounting	Flush
Output current, I _e	≤ 200 mA	Enclosure rating	IP 67 ⁴
Voltage drop, U _D	≤ 2V at 200 mA	Material, housing	Brass, chrome-plated
Protective circuits	Reverse-polarity protection, U _B / short-circuit protection (Q) / induction protection	Material, front surface	Polyester
Switching output, Q	PNP / NPN (see Selection Table)	Type of connection	See Selection Table
Output function	N.O.	Ambient temperature: operation	-25 ... +70 °C
Switching frequency, f (ti/tp 1:1)	≤ 5000 Hz	Vibration and impact resistance	IEC 60947-5-2 / 7.4

¹ U_B = 20 ... 30V DC, T_A = 23 °C ± 5 °C ² Refers to switching distance ³ Max. 20 % ripple, within U_B ⁴ With connected IP 67 plug



Switching distance	Switching output	Type of connection	Part number	Article number
0.8 mm	PNP	Cable, 2m, 3-wire	IS 455-02	996-50585
0.8 mm	NPN	Cable, 2m, 3-wire	IS 455-01	996-50607