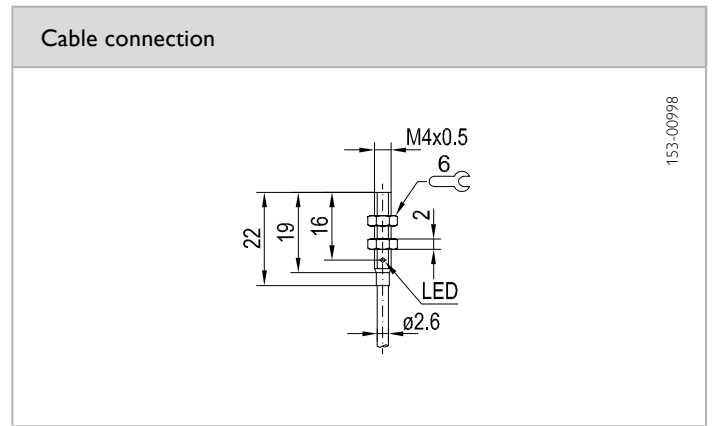
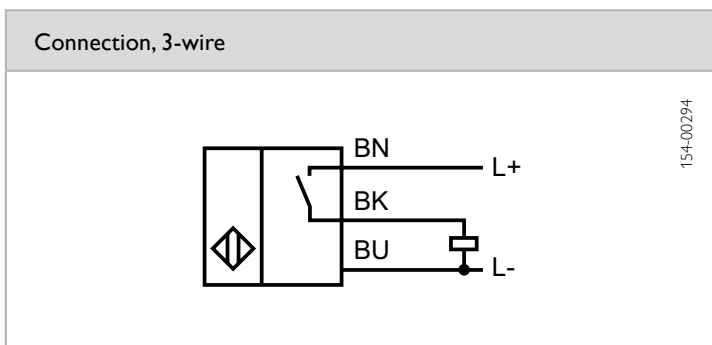


## Inductive sensor with stainless steel housing



Sensor data		Functions	
Switching distance	1 mm	Indicator LED, yellow	Switching output indicator
Hysteresis	1 ... 15 %		
Electrical data		Mechanical data	
Operating voltage, +U <sub>B</sub>	10 ... 30V DC	Dimensions	M4 x 22 mm
Output current, I <sub>e</sub>	≤ 100 mA	Mounting	Flush
Protective circuits	Reverse-polarity protection, U <sub>B</sub>	Enclosure rating	IP 67 <sup>1</sup>
Switching frequency, f (ti/tp 1:1)	≤ 3000 Hz	Material, housing	Stainless steel, V2A
Switching output, Q	PNP	Type of connection	See Selection Table
Output function	N.O.	Ambient temperature: operation	-25 ... 70 °C

<sup>1</sup> With connected IP 67 plug



Sold & Serviced By:



Toll Free Phone (877) SERV098

[www.electromate.com](http://www.electromate.com)

[sales@electromate.com](mailto:sales@electromate.com)

Switching distance	Switching output	Type of connection	Part number	Article number
1 mm	PNP	Cable, 3-wire	IT 4 BD-PSK3	996-51486