

IT 8

Inductive sensor in cubic housing

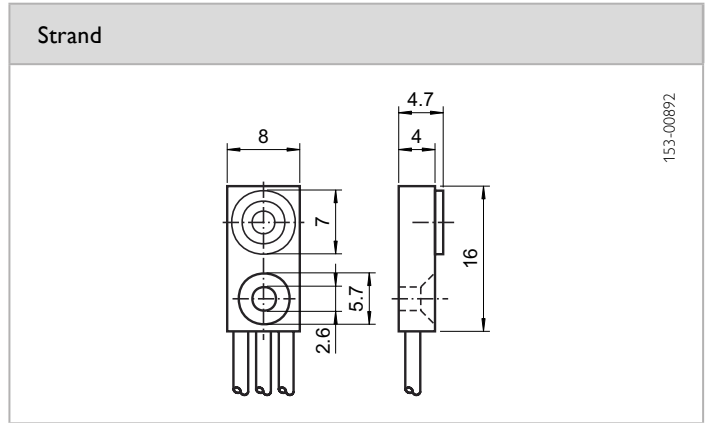
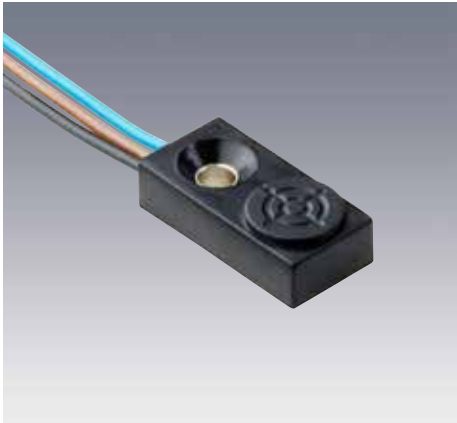
Sold & Serviced By:



Toll Free Phone (877) SERV098

www.electromate.com

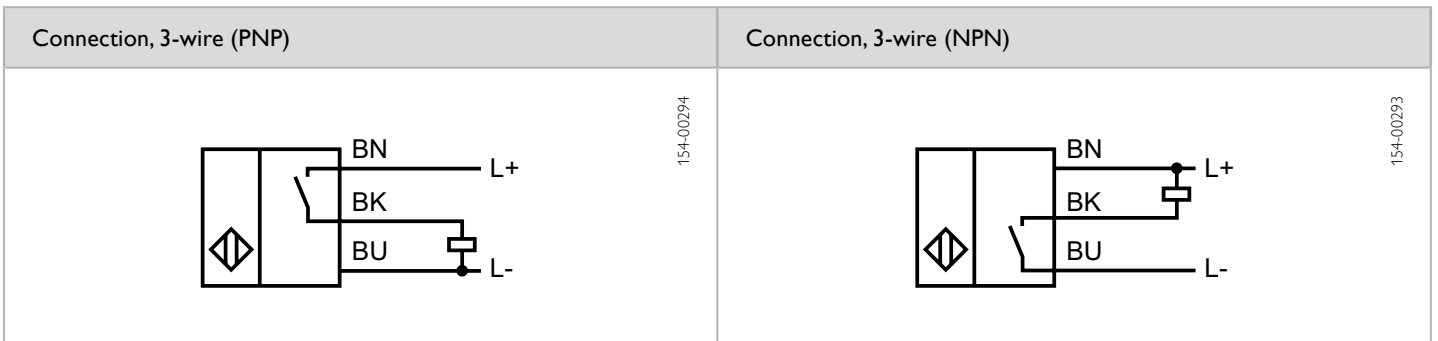
sales@electromate.com



Sensor data	
Switching distance	1.5 mm
Ensured switching distance	0 ... 1.215 mm
Hysteresis	~ 5 %
Reduction factor; AI	0.3
Reduction factor; Cu	0.2
Reduction factor; V2A	0.7

Electrical data		Mechanical data	
Operating voltage, +U _B	5 ... 30V DC	Dimensions	16 x 4.7 x 8 mm
No-load current, I ₀	≤ 15 mA	Enclosure rating	IP 67 ¹
Output current, I _e	≤ 100 mA	Material, housing	PA
Voltage drop, U _D	≤ 1.5 V	Material, front surface	PA
Residual current, I _r	≤ 10 μA	Type of connection	See Selection Table
Protective circuits	Short-circuit protection (Q)	Ambient temperature: operation	-25 ... +70 °C
Switching output, Q	PNP / NPN (see Selection Table)	Vibration and impact resistance	EN 60947-5-2
Output function	N.O.		
Switching frequency, f (ti/tp 1:1)	≤ 1200 Hz		

¹With connected IP 67 plug



Switching distance	Mounting	Switching output	Type of connection	Part number	Article number
1.5 mm	Flush	PNP	Strand, 0.5 m, 3-wire	IT 8-1B5K-PS-K3	697-01068
1.5 mm	Flush	NPN	Strand, 0.5 m, 3-wire	IT 8-1B5K-NS-K3	697-01069