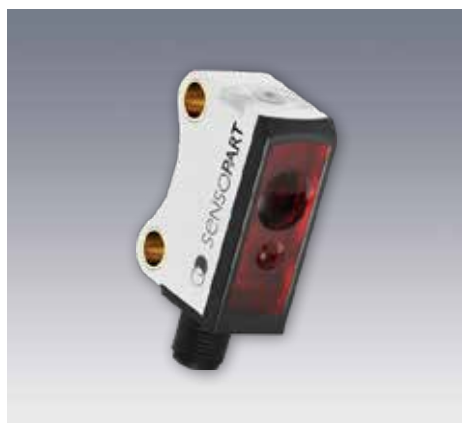


FT 10-RF

Photoelectric diffuse sensor with background suppression, fixed focus



PRODUCT HIGHLIGHTS

- Sub-miniature sensor with precise fixed background suppression
- Economical multi-purpose sensor
- Reliable switching behaviour even with varying object surfaces and colors
- Tamper-proof sensor design – no misalignment possible
- Simple mounting and adjustment through innovative dovetail clamp mounting

Optical data		Functions	
Scanning distance	2 ... 15 mm ¹ 2 ... 30 mm ¹ 2 ... 50 mm ¹	Indicator LED, green	Operating voltage indicator
Used light	LED, red, 650 nm	Indicator LED, yellow	Switching output indicator
Light spot size	See diagram	Adjustment possibilities	N.O. / N.C. via control input ³ and IO-Link
Electrical data		Mechanical data	
Operating voltage, +U _B	10 ... 30V DC ²	Dimensions	21,1 × 14,6 × 8 mm
No-load current, I ₀	≤ 20 mA	Enclosure rating	IP 67 ⁴
Output current, I _e	≤ 50 mA	Material, housing	PUR
Protective circuits	Reverse-polarity protection, U _B / short-circuit protection (Q)	Material, front screen	PMMA
Protection class	2	Type of connection	See selection table
Power On Delay	< 300 ms	Ambient temperature: operation	-20 ... +60 °C ⁵
Switching output, Q	PNP/NPN (see selection table)	Ambient temperature: storage	-20 ... +80 °C
Output function	N.O./N.C.	Weight (cable device)	Approx. 22 g
Switching frequency, f (ti/tp 1:1)	≤ 1000 Hz	Weight (pigtail)	Approx. 10 g
Response time	500 μs		
Control input, IN ³	+U _B = N.C. -U _B / Open = N.O.		
IO-Link			
Communication mode	COM 2		
Min. cycletime	2.3 ms		
SIO mode	Compatible		
Data storage	Compatible		
Length process data	16 Bit		
Specification	1.1		

¹ Reference material white, 90 % reflectivity

² Max. 10 % ripple within U_B, ~ 50 Hz / 100 Hz

³ Only 4-pin design

⁴ With connected IP 67 plug

⁵ UL: -20 ... +30 °C

Sold & Serviced By:

 **ELECTROMATE**

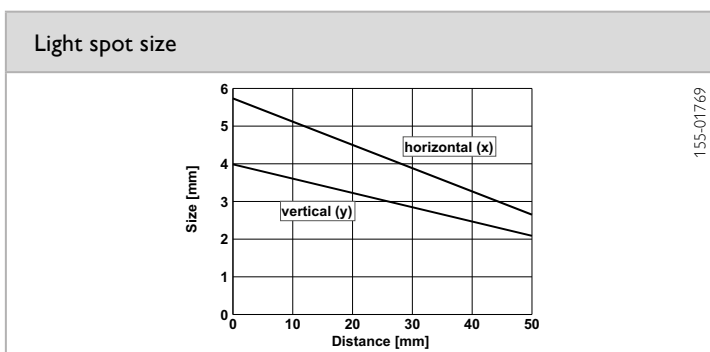
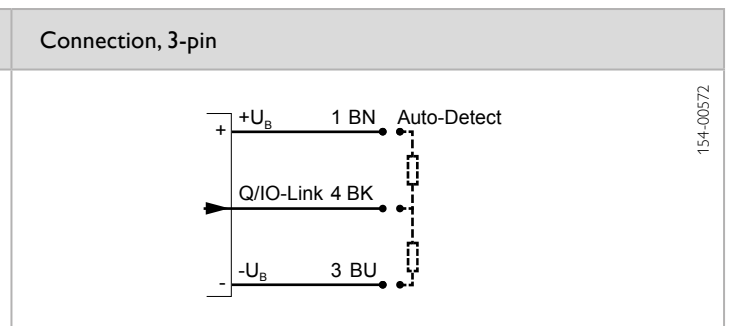
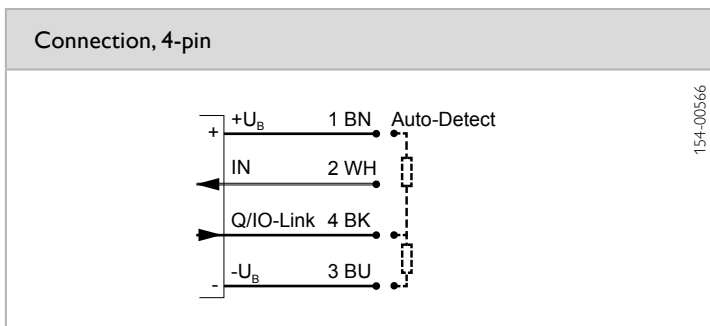
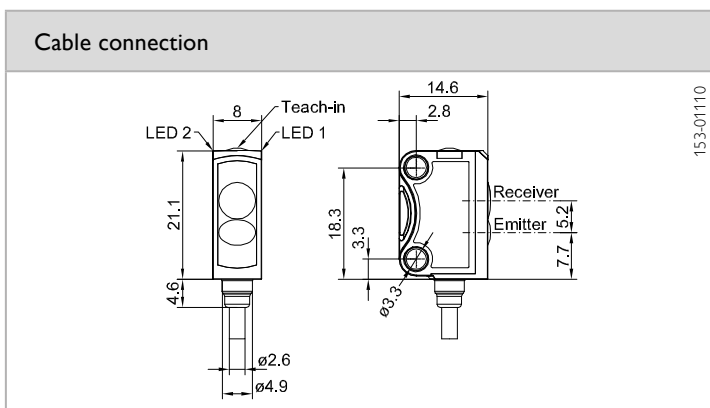
Toll Free Phone (877) SERV098

www.electromate.com

sales@electromate.com

Scanning distance	Switching output	Type of connection	Part number	Article number
2 ... 15 mm ¹	Auto-Detect	Cable, 2 m, 4-wire, IO-Link	FT 10-RF1-PNSL-K4	600-11052
2 ... 15 mm ¹	Auto-Detect	Pigtail, 200 mm with M8 plug, 4-pin, IO-Link	FT 10-RF1-PNSL-KM4	600-11053
2 ... 15 mm ¹	Auto-Detect	Pigtail, 200 mm with M8 plug, 3-pin, IO-Link	FT 10-RF1-PNSL-KM3	600-11054
2 ... 30 mm ¹	Auto-Detect	Cable, 2 m, 4-wire, IO-Link	FT 10-RF2-PNSL-K4	600-11055
2 ... 30 mm ¹	Auto-Detect	Pigtail, 200 mm with M8 plug, 4-pin, IO-Link	FT 10-RF2-PNSL-KM4	600-11056
2 ... 30 mm ¹	Auto-Detect	Pigtail, 200 mm with M8 plug, 3-pin, IO-Link	FT 10-RF2-PNSL-KM3	600-11057
2 ... 50 mm ¹	Auto-Detect	Cable, 2 m, 4-wire, IO-Link	FT 10-RF3-PNSL-K4	600-11058
2 ... 50 mm ¹	Auto-Detect	Pigtail, 200 mm with M8 plug, 4-pin, IO-Link	FT 10-RF3-PNSL-KM4	600-11059
2 ... 50 mm ¹	Auto-Detect	Pigtail, 200 mm with M8 plug, 3-pin, IO-Link	FT 10-RF3-PNSL-KM3	600-11060

Including dovetail clamp mounting MBD F 10 for all types



Sold & Serviced By:

 Toll Free Phone (877) SERV098
www.electromate.com
sales@electromate.com

Reference material	Detection range			Accessories
white (90 %)	FT 10-RF1 2 ... 15 mm	FT 10-RF2 2 ... 30 mm	FT 10-RF3 2 ... 50 mm	Connection cables Brackets SensolO (901-01001)
grey (18 %)	4 ... 15 mm	4 ... 30 mm	4 ... 50 mm	www.sensopart.com/en/accessories
black (6 %)	5 ... 15 mm	5 ... 30 mm	5 ... 50 mm	