

# VISOR® V20 Code Reader Professional, C-mount

Multi Code Reader for 1D and 2D codes and OCR



## PRODUCT HIGHLIGHTS

- Can be used for all common 2D codes (ECC 200 data matrix) and common 1D barcodes
- Combination of two functions in one device: code reading and object detection
- Reliable detection of even poorly readable codes under difficult ambient conditions
- Comprehensive tools for flexible and easy connection to PC and PLC environments
- Reading of several similar or differing types of codes in one reading pass
- Reading OCR fonts

| Optical data                             |   | Functions                      |  |
|--|---|--------------------------------|--|
| Resolution                               | 1440 x 1080 pixels  | Number of jobs / detectors     | max. 255 / max. 255  |
| Imaging chip CMOS                        | 1/2.9", monochrome  | Detectors                      | Position tracking; X/Y and orientation;<br><b>Pattern matching, contour:</b> teach-in and detection of patterns and contours;<br><b>Grey threshold, brightness:</b> evaluation of brightness;<br><b>Contrast:</b> evaluation of contrast;<br><b>Barcode:</b> reading 1D barcodes; EAN, UPC, RSS, 2/5 Interleaved, 2/5 Industrial, code 32, code 39, code 93, code 128, ECC200 GS1, pharm code, codabar;<br><b>Datacode:</b> reading 2D codes: ECC200 (GS1), QR code (GS1), Micro QR code, Aztec code (GS1), PDF 417;<br><b>OCR:</b> reading of fonts;<br><b>Result processing:Text:</b> checking and calculating with results from detectors |
| Integrated lens, focal length [mm]       | C-mount   |                                |  |
| Pixel size                               | 3,45 µm x 3,45 µm   |                                |  |
| Focus                                    | Manual  |                                |  |
| Adjustment range                         | Dependent on lens   |                                |  |
| Integrated illumination                  | None  |                                |  |
| Minimum field of view, X x Y             | Dependent on lens   |                                |  |
| Target laser                             | No  |                                |  |
| Electrical data                          |   | Mechanical data                |  |
| Operating voltage, +U <sub>b</sub>       | 18 ... 30V DC <sup>1</sup>  | Dimensions                     | 70.4 x 45 x 45 mm (without plug)   |
| Current consumption (without I/O)        | ≤ 300 mA  | Enclosure rating               | IP 67 & IP 65 <sup>2</sup>   |
| Protective circuits                      | Reverse-polarity protection, U <sub>b</sub> / short-circuit protection of all outputs | Material, housing              | Aluminium, die-cast, RoHS compliant  |
| Power On Delay                           | Approx. 13 s after Power on   | Material, front screen         | Plastic  |
| Outputs                                  | PNP/NPN (switchable)  | Ambient temperature: operation | 0 ... +50 °C <sup>3</sup>  |
| Max. output current (per output)         | 50 mA, 100 mA (pin 12)  | Ambient temperature: storage   | -20 ... +60 °C <sup>3</sup>  |
| Switching threshold inputs incl. encoder | PNP/NPN<br>High > U <sub>b</sub> -1V / Low < 3V                                       | Weight                         | Approx. 200 g  |
| Input resistance                         | > 20 kΩ   | Plug connections               | Supply and I/O M12, 12-pin<br>Ethernet M12, 4-pin  |
| Interfaces<br>VISOR® V20-CR-Advanced     | Ethernet (LAN), EtherNet/IP,<br>PROFINET, SensoWeb, Service Port                      | Vibration resistance           | EN 60068-2-6   |
| Inputs/outputs                           | 2 inputs, 2 outputs,<br>6 selectable inputs/outputs                                   | Shock resistance               | EN 60068-2-27  |
| Encoder                                  | ✓   |                                |  |

<sup>1</sup> Max. ripple < 5 V<sub>SS</sub>    <sup>2</sup> Only with protective casing    <sup>3</sup> 80 % air humidity, noncondensing

Sold & Serviced By:

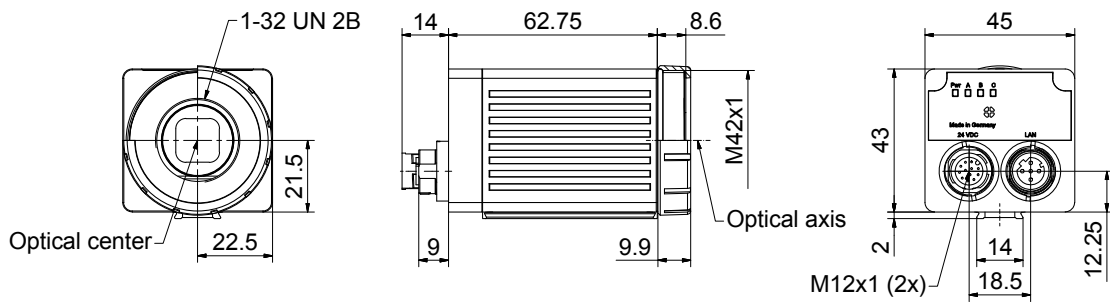


Toll Free Phone (877) SERV098

[www.electromate.com](http://www.electromate.com)



[sales@electromate.com](mailto:sales@electromate.com)

VISOR® vision sensor C-mount



153-13555

4

| Lens   | C-Mount protective casing for VISOR®   |
|--|--|
|  |  |

Sold & Serviced By:



Toll Free Phone (877) SERV098  
[www.electromate.com](http://www.electromate.com)  
[sales@electromate.com](mailto:sales@electromate.com)

| Part number   | Article number |
|---------------|----------------|
| LPT Vxx-G37.5 | 651-01006      |
| LPT Vxx-25.0  | 651-01007      |

|                | LOC-08-HD-30.5x0.5 | LOC-12-HD-27x0.5 | LOC-16-HD-27x0.5 | LOC-25-HD-27x0.5 | LOC-35-HD-27x0.5 | LOC-50-HD-27x0.5 | LOC-75-HD-34x0.5 |
|----------------|--------------------|------------------|------------------|------------------|------------------|------------------|------------------|
| Focal length   | 8 mm               | 12 mm            | 16 mm            | 25 mm            | 35 mm            | 50 mm            | 75 mm            |
| Article number | 526-51535          | 526-51536        | 526-51537        | 526-51538        | 526-51539        | 526-51540        | 526-51541        |

| Part number   | Article number | Accessories  |
|---------------|----------------|--|
| V20-CR-P3-C-2 | 632-91134      | <ul style="list-style-type: none"> <li>Connection cables</li> <li>Illumination</li> <li>Lenses</li> <li>Brackets</li> <li>Interface accessories</li> </ul> |

[www.sensopart.com/en/accessories](http://www.sensopart.com/en/accessories)