


# VISOR® V20 Code Reader Professional, medium field of view

Multi Code Reader for 1D and 2D codes and OCR



## PRODUCT HIGHLIGHTS

- Can be used for all common 2D codes (ECC 200 data matrix) and common 1D barcodes
- Combination of two functions in one device: code reading and object detection
- Reliable detection of even poorly readable codes under difficult ambient conditions
- Comprehensive tools for flexible and easy connection to PC and PLC environments
- Reading of several similar or differing types of codes in one reading pass
- Reading OCR fonts

Optical data		Functions	
Resolution	1440 x 1080 pixels	Number of jobs / detectors	max. 255 / max. 255
Imaging chip CMOS	1/2.9", monochrome	Detectors	Position tracking: X/Y and orientation; <b>Pattern matching, contour:</b> teach-in and detection of patterns and contours; <b>Grey threshold, brightness:</b> evaluation of brightness; <b>Contrast:</b> evaluation of contrast; <b>Barcode:</b> reading 1D barcodes; EAN, UPC, RSS, 2/5 Interleaved, 2/5 Industrial, code 32, code 39, code 93, code 128, ECC200 GS1, pharm code, codabar; <b>Datacode:</b> reading 2D codes: ECC200 (GS1), QR code (GS1), Micro QR code, Aztec code (GS1), PDF 417; <b>OCR:</b> reading of fonts; <b>Result processing:Text:</b> checking and calculating with results from detectors
Integrated lens, focal length [mm]	12 (medium)		
Pixel size	3.45 µm x 3.45 µm		
Focus	Motorized		
Adjustment range	25 mm to infinity		
Integrated illumination	White (5000 K), red (635 nm), infrared (850 nm) LEDs		
Minimum field of view, X x Y	10 x 8 mm		
Target laser	Laser: red (635 nm) class 1 		
Electrical data		Mechanical data	
Operating voltage, +U <sub>b</sub>	18 ... 30 DC <sup>1</sup>	Dimensions	70.4 x 45 x 45 mm (without plug)
Current consumption (without I/O)	≤ 300 mA	Enclosure rating	IP 67 & IP 65
Protective circuits	Reverse-polarity protection, U <sub>b</sub> / short-circuit protection of all outputs	Material, housing	Aluminium, die-cast, RoHS compliant
Power On Delay	Approx. 13 s after Power on	Material, front screen	Plastic
Outputs	PNP/NPN (switchable)	Ambient temperature: operation	0 ... +50 °C <sup>2</sup>
Max. output current (per output)	50 mA, 100 mA (pin 12)	Ambient temperature: storage	-20 ... +60 °C <sup>2</sup>
Switching threshold inputs incl. encoder	PNP/NPN High > U <sub>b</sub> -1 V / Low < 3 V	Weight	Approx. 200 g
Input resistance	> 20 kΩ	Plug connections	Supply and I/O M12, 12-pin Ethernet M12, 4-pin
Interfaces VISOR® V20-CR-Advanced	Ethernet (LAN), EtherNet/IP, PROFINET, SensoWeb, Service Port	Vibration resistance	EN 60068-2-6
Inputs/outputs	2 inputs, 2 outputs, 6 selectable inputs/outputs	Shock resistance	EN 60068-2-27
Encoder	✓		

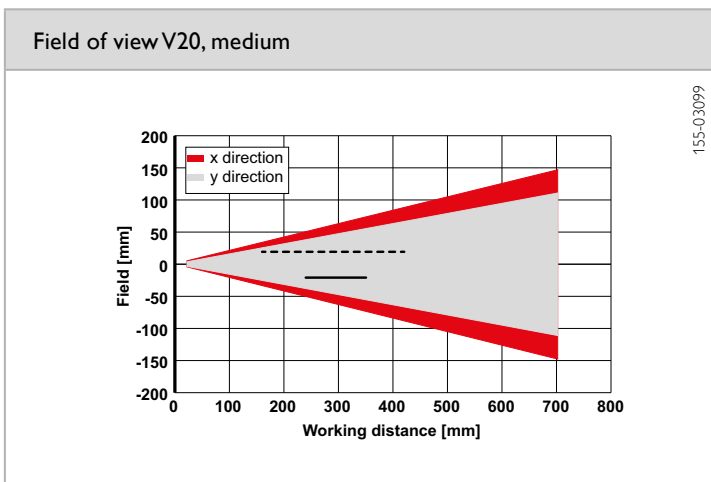
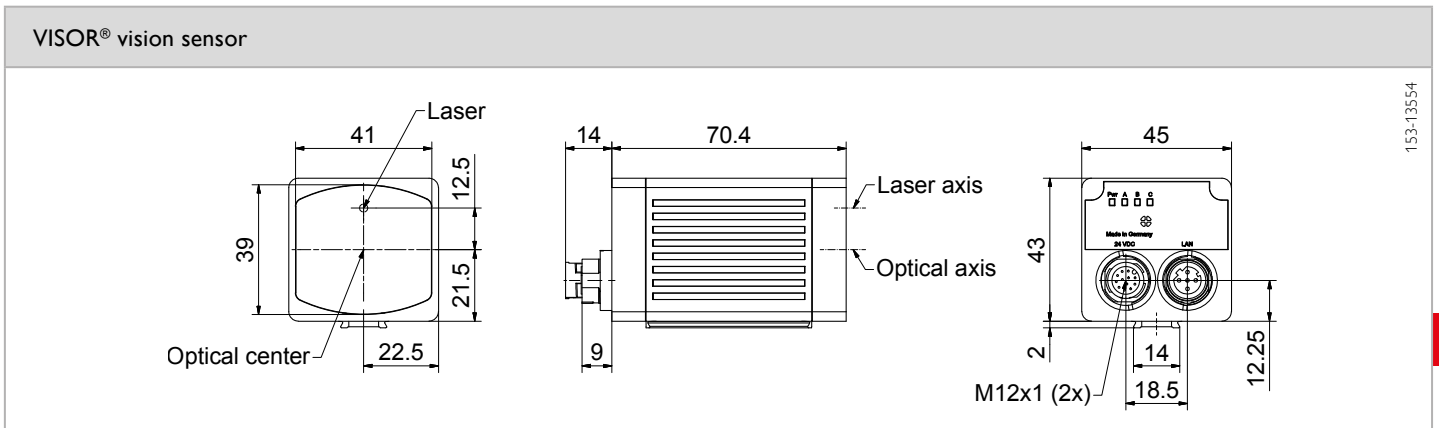
<sup>1</sup> Max. ripple < 5 V<sub>SS</sub>    <sup>2</sup> 80 % air humidity, noncondensing

Sold & Serviced By:



Toll Free Phone (877) SERV098

www.electromate.com  
sales@electromate.com



----- Increased depth of field  
 \_\_\_\_\_ Normal depth of field

Illumination	Part number	Article number	Accessories
White	V20-CR-P3-W-M-M2-L	632-91080	Connection cables Illumination Brackets Interface accessories <a href="http://www.sensopart.com/en/accessories">www.sensopart.com/en/accessories</a>
White	V20-CR-P3-W-MD-M2-L	632-91083	
Red	V20-CR-P3-R-M-M2-L	632-91085	
Red	V20-CR-P3-R-MD-M2-L	632-91088	
Infrared	V20-CR-P3-I-M-M2-L	632-91090	
Infrared	V20-CR-P3-I-MD-M2-L	632-91093	

Sold & Serviced By:



Toll Free Phone (877) SERV098

[www.electromate.com](http://www.electromate.com)

[sales@electromate.com](mailto:sales@electromate.com)