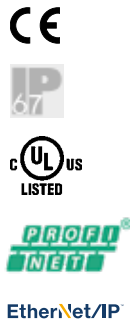



VISOR® V20 Code Reader Standard, wide field of view

Reading of 1D and 2D codes



PRODUCT HIGHLIGHTS

- Can be used for all common 2D codes (ECC 200 data matrix) and common 1D barcodes
- Comprehensive tools for flexible and easy connection to PC and PLC environments

Optical data		Functions	
Resolution	1440 x 1080 pixels	Number of jobs / detectors	8 / 2
Imaging chip CMOS	1/2.9", monochrome	Detectors	Barcode: reading 1D barcodes; EAN, UPC, RSS, 2/5 Interleaved, 2/5 Industrial, code 32, code 39, code 93, code 128, ECC200 GS1, pharm code, codabar; Datacode: reading 2D codes: ECC200 (GS1), QR code (GS1), Micro QR code, Aztec code (GS1), PDF 417;
Integrated lens, focal length [mm]	6.5 (wide)		
Pixel size	3.45 µm x 3.45 µm		
Focus	Motorized		
Adjustment range	10 mm to infinity		
Integrated illumination	White (5000 K), red (635 nm), infrared (850 nm) LEDs		
Minimum field of view, X x Y	6 x 4 mm		
Target laser	Laser: red (635 nm) class 1  (IEC 60825-1)		
Electrical data		Mechanical data	
Operating voltage, +U _B	18 ... 30V DC ¹	Dimensions	70.4 x 45 x 45 mm (without plug)
Current consumption (without I/O)	≤ 300 mA	Enclosure rating	IP 67 & IP 65
Protective circuits	Reverse-polarity protection, U _B / short-circuit protection of all outputs	Material, housing	Aluminium, die-cast, RoHS compliant
Power On Delay	Approx. 13 s after Power on	Material, front screen	Plastic
Outputs	PNP/NPN (switchable)	Ambient temperature: operation	0 ... +50 °C ²
Max. output current (per output)	50 mA, 100 mA (pin 12)	Ambient temperature: storage	-20 ... +60 °C ²
Switching threshold inputs incl. encoder	PNP/NPN High > U _B -1V / Low < 3V	Weight	Approx. 200 g
Input resistance	> 20 kΩ	Plug connections	Supply and I/O M12, 12-pin Ethernet M12, 4-pin
Interfaces VISOR® V20-CR-Advanced	Ethernet (LAN), EtherNet/IP, PROFINET, SensoWeb, Service Port	Vibration resistance	EN 60068-2-6
Inputs/outputs	2 inputs, 2 outputs, 6 selectable inputs/outputs	Shock resistance	EN 60068-2-27
Encoder	✓		

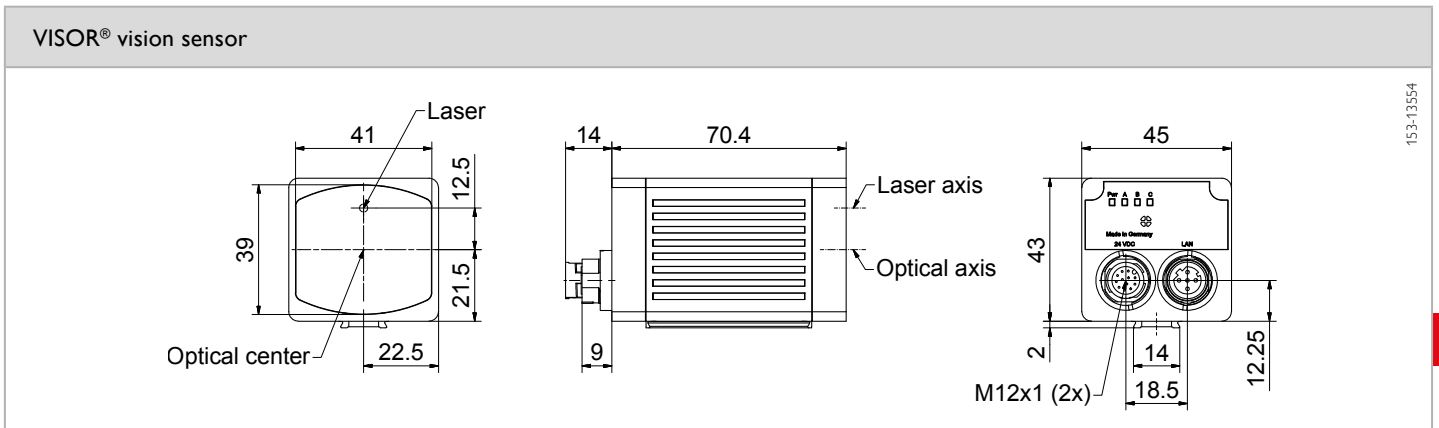
¹ Max. ripple < 5V_{SS} ² 80 % air humidity, noncondensing

Sold & Serviced By:

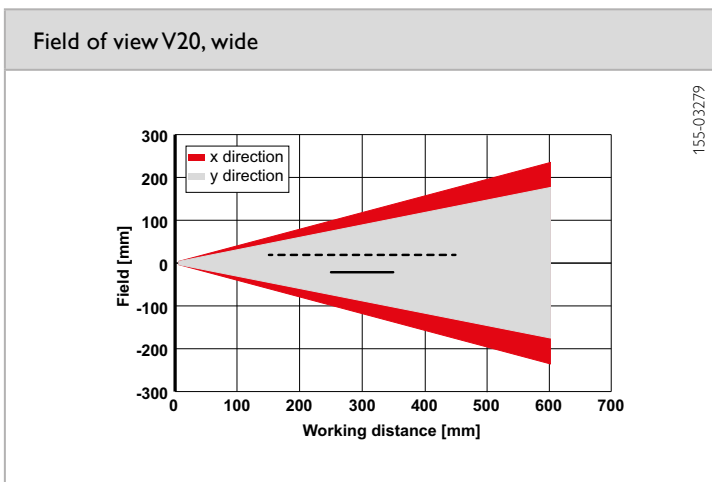


Toll Free Phone (877) SERV098

www.electromate.com
sales@electromate.com



153-13554



155-03279

----- Increased depth of field
 _____ Normal depth of field

Illumination	Part number	Article number	Accessories
White	V20-CR-S3-W-W-M2-L	632-91055	Connection cables Illumination Brackets Interface accessories
Red	V20-CR-S3-R-W-M2-L	632-91058	
Infrared	V20-CR-S3-I-W-M2-L	632-91061	

www.sensopart.com/en/accessories

Sold & Serviced By:



Toll Free Phone (877) SERV098
www.electromate.com
sales@electromate.com