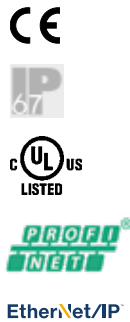


VISOR® V50 Code Reader Advanced, C-mount

Multi-Code Reader for 1D and 2D codes



PRODUCT HIGHLIGHTS

- Can be used for all common 2D codes (ECC 200 data matrix) and common 1D barcodes
- Reliable detection of even poorly readable codes under difficult ambient conditions
- Comprehensive tools for flexible and easy connection to PC and PLC environments
- Reading of several similar or differing types of codes in one reading pass

Optical data		Functions	
Resolution	2560 x 1936 pixels	Number of jobs / detectors	max. 255 / max. 255
Imaging chip CMOS	1/1.8", monochrome	Detectors	Barcode: reading 1D barcodes; EAN, UPC, RSS, 2/5 Interleaved, 2/5 Industrial, code 32, code 39, code 93, code 128, ECC200 GS1, pharm code, codabar; Datacode: reading 2D codes: ECC200 (GS1), QR code (GS1), Micro QR code, Aztec code (GS1), PDF 417; Result processing: Text: checking and calculating with results from detectors
Integrated lens, focal length [mm]	C-mount		
Pixel size	2.8 µm x 2.8 µm		
Focus	Manual		
Adjustment range	Dependent on lens		
Integrated illumination	None		
Minimum field of view, X x Y	Dependent on lens		
Target laser	No		
Electrical data		Mechanical data	
Operating voltage, +U _B	18 ... 30V DC ¹	Dimensions	70.4 x 45 x 45 mm (without plug)
Current consumption (without I/O)	≤ 300 mA	Enclosure rating	IP 67 & IP 65 ²
Protective circuits	Reverse-polarity protection, U _B / short-circuit protection of all outputs	Material, housing	Aluminium, die-cast, RoHS compliant
Power On Delay	Approx. 13 s after Power on	Material, front screen	Plastic
Outputs	PNP/NPN (switchable)	Ambient temperature: operation	0 ... +50 °C ³
Max. output current (per output)	50 mA, 100 mA (pin 12)	Ambient temperature: storage	-20 ... +60 °C ³
Switching threshold inputs incl. encoder	PNP/NPN High > U _B -1V / Low < 3V	Weight	Approx. 200 g
Input resistance	> 20 kΩ	Plug connections	Supply and I/O M12, 12-pin Ethernet M12, 4-pin
Interfaces	Ethernet (LAN), EtherNet/IP, PROFINET, SensoWeb, Service Port	Vibrationsfestigkeit	EN 60068-2-6
Inputs/outputs	2 inputs, 2 outputs, 6 selectable inputs/outputs	Schockfestigkeit	EN 60068-2-27
Encoder	✓		

¹ Max. ripple < 5V_{SS} ² Only with protective casing ³ 80 % air humidity, noncondensing

Sold & Serviced By:

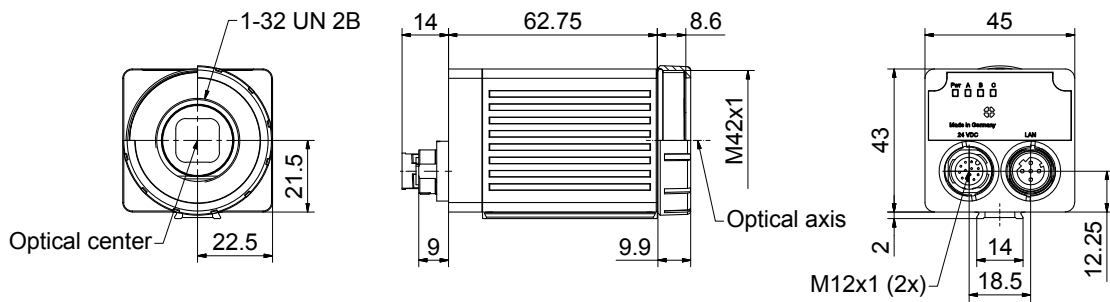


Toll Free Phone (877) SERV098

www.electromate.com

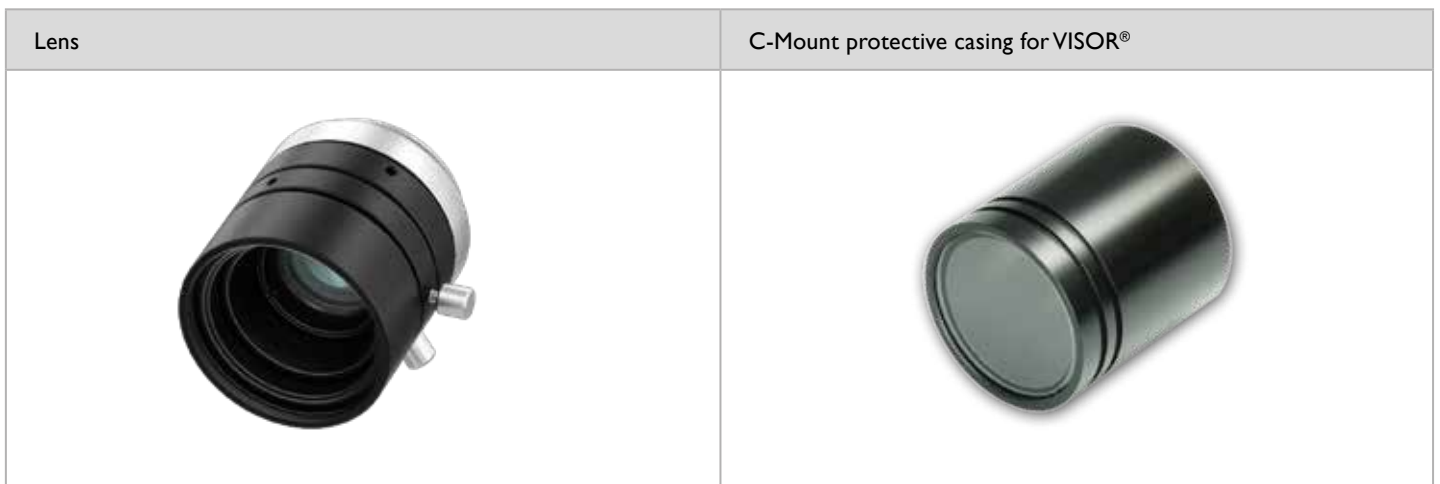
sales@electromate.com

VISOR® vision sensor C-mount



153-13555

4



Sold & Serviced By:



Toll Free Phone (877) SERV098
www.electromate.com
sales@electromate.com

Part number	Article number
LPT Vxx-G37.5	651-01006
LPT Vxx-25.0	651-01007

	LOC-08-HD-30.5x0.5	LOC-12-HD-27x0.5	LOC-16-HD-27x0.5	LOC-25-HD-27x0.5	LOC-35-HD-27x0.5	LOC-50-HD-27x0.5	LOC-75-HD-34x0.5
Focal length	8 mm	12 mm	16 mm	25 mm	35 mm	50 mm	75 mm
Article number	526-51535	526-51536	526-51537	526-51538	526-51539	526-51540	526-51541

Part number	Article number	Accessories
V50-CR-A3-C-2	635-91033	<ul style="list-style-type: none"> Connection cables Illumination Lenses Brackets Interface accessories

www.sensopart.com/en/accessories