

Electromagnetic Friction Clutches & Brakes

Shaft Mounted Clutches – Type BSL



BSL SERIES POWER-ON CLUTCHES

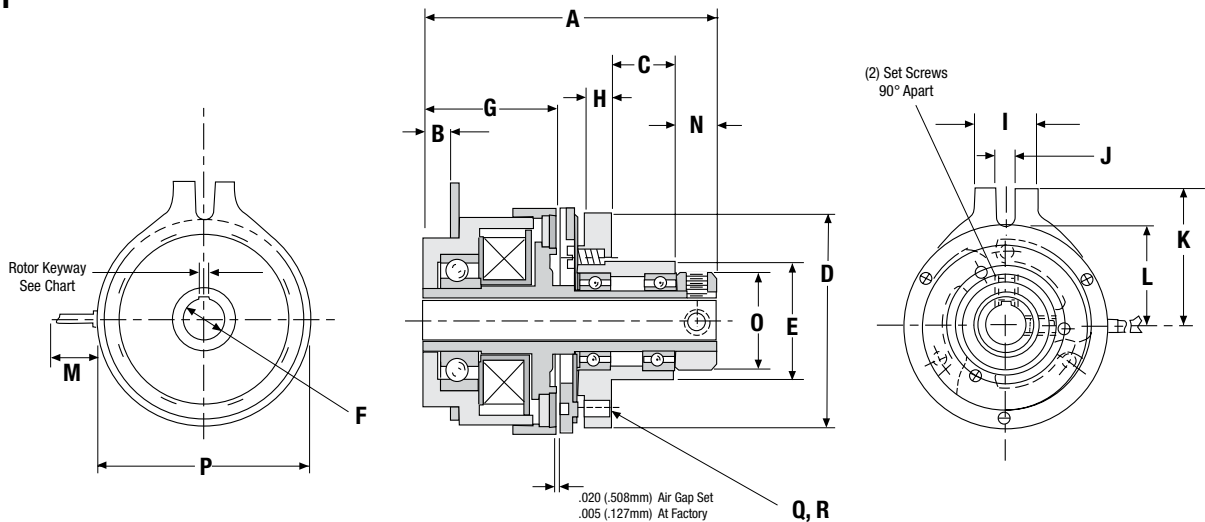
Shaft Mounted Clutches – Type BSL

Inertia Dynamics features four sizes of ball bearing clutches. All sizes have ball bearing armature and field assemblies for heavy duty applications, allowing higher shaft speeds and side loads to be achieved. All BSL clutches are shaft mounted for easy installation and operate in the same manner as our SL series clutches.

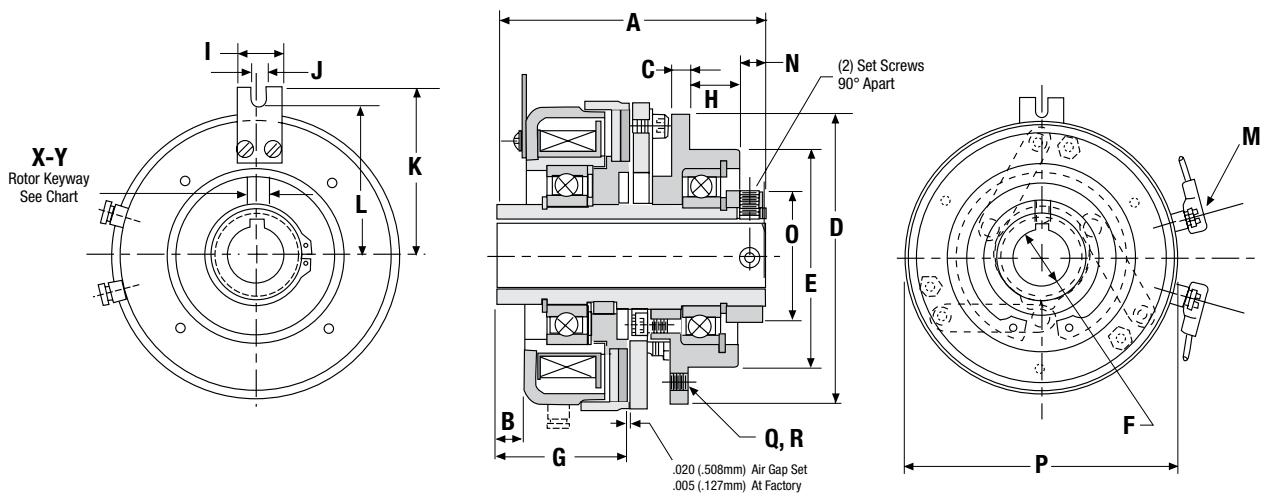
Customer Shall Maintain:

A loose-fitting pin through the anti-rotation tab to prevent preloading the bearings.

Model BSL11



Model BSL26, BSL30 & BSL42



Electromagnetic Friction Clutches & Brakes

Shaft Mounted Clutches – Type BSL Imperial

Mechanical

MODEL NO.	STATIC TORQUE LB. - IN.	INERTIA LB. - IN. ²		WEIGHT OZ.
		ROTOR	ARM & HUB	
BSL11	6	.013	.030	8
BSL26	80	.290	.530	38
BSL30	125	.560	.990	54
BSL42	250	2.250	4.990	94

Electrical

MODEL NO.	90 VDC		24 VDC		12 VDC	
	AMPS	OHMS	AMPS	OHMS	AMPS	OHMS
BSL11	.048	1848	.188	120	.447	26.8
BSL26	.088	1024	.358	67.1	.760	15.8
BSL30	.091	988	.378	65.3	.729	16.5
BSL42	.124	722	.468	51.2	.934	12.84

Lead wire is UL recognized style 1213, 1015 or 1430, 22 gage.

Insulation is .050" O.D. on 11 unit; .064" or .095" O.D. on all other units.

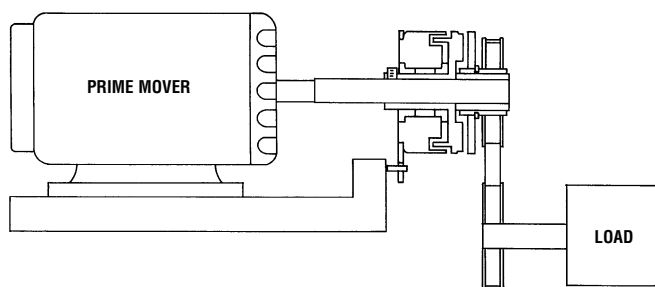
Dimensions

MODEL NO.	A MAX.	B MAX.	C NOM.	D MAX.	E ±.001	F NOM.	G NOM.	H NOM.	I MAX.	J MIN.	K NOM.	L NOM.	M ±.500	N NOM.	O NOM.	P MAX.	ROTOR KEYWAY				
																	BORE	NOMINAL KEYWAY		Q B.C.	R SIZE
																		X	Y		
BSL11	1.785	.184	.405	1.380	.7485	3/16 1/4	.812	.163	.380	.125	.875	.625	12.00	.250	.625	1.285	N.A.	SET SCREWS ONLY		1.125 3-Holes	6-32 UNC-2B
BSL26	2.930	.140	.260	2.505	1.498	1/2 5/8	1.375	.500	.510	.190	1.750	1.467	SCREW TERMI- NALS	.420	1.187	2.645	1/2 5/8	.125 - .128 .1885 - .1905	.560 - .567 .709 - .716	1.790 3-Holes	6-32 UNC-2B
BSL30	2.961	.140	.395	2.883	1.498	1/2	1.360	.500	.442	.170	2.050	1.740	SCREW TERMI- NALS	.408	1.187	3.300	1/2	.125 - .128	.560 - .567	1.790 3-Holes	6-32 UNC-2B
BSL42	3.350	.000	.267	4.015	2.999	3/4 7/8 1	1.405	.673	.645	.188	2.500	2.216	SCREW TERMI- NALS	.383	1.810	4.270	3/4 7/8 1	.1885 - .1905 .1885 - .1905 .251 - .253	.836 - .844 .962 - .970 1.113 - 1.121	3.500 3-Holes	1/4-20 UNC-2B

*X denotes keyway width, Y denotes keyway height plus bore.

Notes:

- BSL42 has a .188-.195 diameter hole in the anti-rotation tab.
- BSL26 has two ball bearings in field and armature assemblies.
- BSL30 has two ball bearings in armature assembly.
- BSL26 uses a special key provided by IDI for 5/8 bore.



See page 4 for Ordering Information